



MATCH

INSTALLATION AND OPERATING INSTRUCTIONS

2-jaw parallel gripper with
quick-change system

LWR50L-03-00002-A

LWR50L-03-00003-A

DDOC01272

THE KNOW-HOW FACTORY

Glossary

Term	Explanation
ActualPosition	Value of the current position of the product [1/100 mm]
BasePosition	BasePosition is the outer jaw position. Depending on the gripper profile, this can also be a work position.
ControlWord	Activation of the product Only one bit is permitted to be active in ControlWord. The value "0" is also permitted.
DeviceMode	Used to select gripping profiles as well as the additional help modes in the product.
Diagnosis	If an error occurs, outputs a diagnostic code that can be compared with the error list.
DIR	Direction/24 V DC cable connection Depending on the product, this signal is used to move the product.
Error	Fault
GND	Abbreviation for ground connection
GripForce	Setting the gripping force
Offset	Correction value
PositionTolerance	Tolerance range for TeachPosition, BasePosition and WorkPosition The value of the parameter acts in both directions.
ShiftPosition	ShiftPosition is a switching position between pre-positioning and gripper movement.
StatusWord	Summary of binary states of the product that can be returned as information to the control system.
Teach	Adoption of the ActualPosition as the TeachPosition.
Adjust	Starts the travel routing stored in the product to teach the BasePosition and WorkPosition.
TeachPosition	Taught-in workpiece position
Traversing routine	Defined procedure for movement of the gripper jaws
Travel path	Path on which the gripper jaws travel.
WorkpieceNo	Number of the selected workpiece recipe
WorkPosition	Inner jaw position on the product Depending on the application, this can also be the standby position.

Content

- 1 Supporting documents 5
 - 1.1 Notices and graphics in the installation and operating instructions 5
- 2 Safety notices 6
- 3 Proper use 8
- 4 Personnel qualification 9
 - 4.1 Electricians 9
 - 4.2 Specialists 9
 - 4.3 Instructed personnel 9
 - 4.4 Service personnel 9
 - 4.5 Additional qualifications 9
- 5 Product description 10
 - 5.1 Possible applications 11
 - 5.2 Type plate 11
 - 5.3 Product variants and compatibility 11
 - 5.4 Use in applications 12
- 6 Functional description 13
 - 6.1 LED status display 14
 - 6.2 Sensors 15
 - 6.2.1 Wiring diagram sensor system 16
 - 6.2.2 Adjust the sensors in the inspection position 16
 - 6.2.3 Adjust the sensors in the storage position 16
 - 6.3 Functional safety 17
 - 6.4 Control 17
 - 6.5 Verified configuration examples 17
 - 6.6 Self-locking mechanism 17
- 7 Technical data 18
- 8 Accessories/scope of delivery 18
- 9 Transportation/storage/preservation 18
- 10 Installation 19
 - 10.1 Installing the product 19
 - 10.1.1 Installing the MATCH robot module and MATCH gripper 20
 - 10.2 Installing the energy supply 21
 - 10.3 Static charge 21
 - 10.4 Heat dissipation 22
 - 10.5 Installing accessories 22
- 11 Commissioning 23
 - 11.1 Restart 23
 - 11.2 Switching sequence 23
 - 11.3 Minimum travel path 24
- 12 Operation 25
 - 12.1 Adjustable gripping force 25
 - 12.2 Emergency release 26
- 13 Gripping force charts 26
- 14 Status in LED display 27
- 15 Maintenance 28

EN / 2023-07-01
DDOC01272 / c

16 Decommissioning/disposal 28

17 RoHS declaration..... 29

18 REACH declaration..... 29

19 Declaration of Incorporation 30

20 Declaration of Conformity 31

1 Supporting documents

NOTICE



Read through the installation and operating instructions before installing or working with the product.

The installation and operating instructions contain important notes for your personal safety. They must be read and understood by all persons who work with or handle the product during any phase of the product lifetime.



The documents listed below are available for download on our website www.zimmer-group.com.

- Installation and operating instructions
 - Catalogs, drawings, CAD data, performance data
 - Information on accessories
 - Technical data sheets
 - General Terms and Conditions, including warranty information.
- ⇒ Only those documents currently available on the website are valid.

In these installation and operating instructions, "product" refers to the product designation on the title page!

1.1 Notices and graphics in the installation and operating instructions

DANGER



This notice warns of an imminent danger to the life and health of people. Ignoring these notices can lead to serious injury or even death.

- ▶ You absolutely must comply with the described measures for avoiding these dangers!
- ⇒ The warning symbols are assigned according to the type of danger.

WARNING



This notice warns of a situation that is potentially hazardous to personal health. Ignoring these notices can cause serious injury or damage to health.

- ▶ You absolutely must comply with the described measures for avoiding these dangers!
- ⇒ The warning symbols are assigned according to the type of danger.

CAUTION



This notice warns of a situation that is potentially hazardous to persons. Ignoring these notices can cause minor, reversible injuries.

- ▶ You absolutely must comply with the described measures for avoiding these dangers!
- ⇒ The warning symbols are assigned according to the type of danger.

NOTICE



This notice warns of possible material and environmental damage. Ignoring these notices can result in damage to the product or the environment.

INFORMATION



This category contains useful tips for handling the product efficiently. Failure to observe these tips will not result in damage to the product. This information does not include any information relevant to health or workplace safety.

2 Safety notices

CAUTION



Risk of injury and material damage in case of non-compliance

Installation, commissioning, maintenance and repairs may only be performed by qualified specialists in accordance with these installation and operating instructions.

The product is state-of-the-art.

It is fitted to industrial machines and is used to hold, transport and store workpieces.

The following are examples of situations in which the product may cause a hazard:

- The product is not properly installed, used or maintained.
- The product is not used for its designated purpose.
- The locally applicable regulations, laws, directives or guidelines are not observed.
- ▶ The product may only be used in accordance with these installation and operating instructions and the product's technical data. Any changes or additions to the intended use of the product, as well as modifications to the product, such as those in the following examples, require the written permission of the manufacturer:
 - Use of the product under extreme conditions, such as aggressive fluids or abrasive dusts
 - Additional drilled holes or threads
- ⇒ Zimmer GmbH shall accept no liability for any damage caused by improper use. The operator bears sole responsibility.
- ▶ Make sure that the power supply is disconnected before you mount, adjust, modify, maintain or repair the product.
- ▶ Whenever work is carried out on the product, make sure that the product cannot be actuated by mistake.
- ▶ Perform maintenance tasks, renovation work or attachment work outside of the machine's danger zone when possible.
- ▶ Do not reach into the operational range of the product.
- ▶ Observe the specified maintenance intervals and specifications regarding the quality of the operating material.
- ▶ When using the product under extreme conditions, adjust the maintenance interval according to the degree of contamination.

CAUTION**Notes and handling regulations for electrostatically sensitive components**

Electrostatically sensitive components are individual components, integrated circuits or assemblies that can be damaged by electrostatic fields or electrostatic discharge.

- ▶ When handling electrostatic components, make sure that persons, the work area and packaging are all fully grounded.
- ▶ Touch electronic components only in appropriately identified areas with conductive flooring and only if:
 - You are grounded by means of special bracelets.
 - You wear shoes that are suitable and approved for the discharge of electrostatic charges.
- ▶ Do not bring electronic assemblies into contact with plastics and parts of clothing that have plastic content.
- ▶ Store electronic assemblies on conductive underlays only.
- ▶ Do not install electronic assemblies in the vicinity of data back-up devices or monitors (monitor distance > 100 mm).
- ▶ Perform measurements on electronic assemblies only if:
 - The measuring instrument is grounded (e.g. via a ground conductor).
 - The measuring head is momentarily discharged before measuring with a floating measuring instrument.

WARNING**Risk of injury caused by suspended loads**

Improper handling of suspended loads can cause serious injury.

- ▶ Always keep an adequate safety distance from suspended loads.
- ▶ Do not stand or walk underneath suspended loads.

3 Proper use

NOTICE



The product is only to be used in its original state with its original accessories, with no unauthorized changes and within the stipulated parameter limits and operating conditions.

Any other or secondary use is deemed improper.

- ▶ Operate the product only in compliance with the associated installation and operating instructions.
- ▶ Operate the product only when it is in a technical condition that corresponds to the guaranteed parameters and operating conditions.
- ⇒ Zimmer GmbH shall accept no liability for any damage caused by improper use. The operator bears sole responsibility.

- The product is designed specifically for (cooperative/collaborative) use on robot systems and in combination with the MATCH quick-change system.
- The product is designed exclusively for electric operation using a 24 V DC power supply.
- The product must always be mounted on materials that dissipate heat.
- The product is intended for industrial use.
- The product is to be used as intended in enclosed rooms for temporary gripping, handling and holding.
- The product is not suitable for clamping workpieces during a machining process.
- Direct contact with perishable goods/food is not permitted.
- Observance of the technical data and of the installation and operating instructions are part of proper use.

4 Personnel qualification

WARNING



Injuries and material damage due to inadequate qualification

If inadequately qualified personnel perform work on the product, this can cause serious injuries and significant material damage.

- ▶ All work on the product must be performed by qualified personnel.
- ▶ Before working with the product, read the document in its entirety and make sure that you have understood everything.
- ▶ Observe country-specific accident prevention regulations and the general safety notices.

The following qualifications are a prerequisite for performing various work on the product.

4.1 Electricians

Electricians are able to perform work on electrical systems, can recognize and avoid possible dangers and know the relevant standards and provisions due to their technical training, knowledge and experience.

4.2 Specialists

Specialists are able to perform the assigned work, can recognize and avoid possible dangers and know the relevant standards and provisions due to their technical training, knowledge and experience.

4.3 Instructed personnel

Instructed personnel have been trained by the operating company on the tasks and possible dangers of improper behavior.

4.4 Service personnel

Service personnel are able to perform the assigned work and can recognize and avoid possible dangers due to their technical training, knowledge and experience.

4.5 Additional qualifications

Persons who work with the product must be familiar with the valid safety regulations and laws as well as the standards, guidelines and laws listed in this document.

Personnel who work with the product must have facility-issued authorization to commission, program, configure, operate, maintain and also decommission this product.

5 Product description

CAUTION



Reduction of the gripping force can cause personal injury and material damage

When flexible components are gripped, the gripping force of the product is reduced.

Reduced gripping force can lead to personal injury or material damage, because the components that are being gripped can no longer be securely gripped and transported.

NOTICE



► Make sure that the setting of the gripping force and the selection of the gripper finger length are correct to prevent incorrect bracing of the gripper jaws.

⇒ An incorrect configuration or selection can lead to malfunction

The MATCH End-of-Arm Ecosystem is equipped with an extensive range of functions and universal communication interfaces. MATCH is compatible with all common lightweight robots. The system can be mounted on the robot flange and set up with a few manual adjustments.

The product is a safe quick-change system (MATCH gripper).

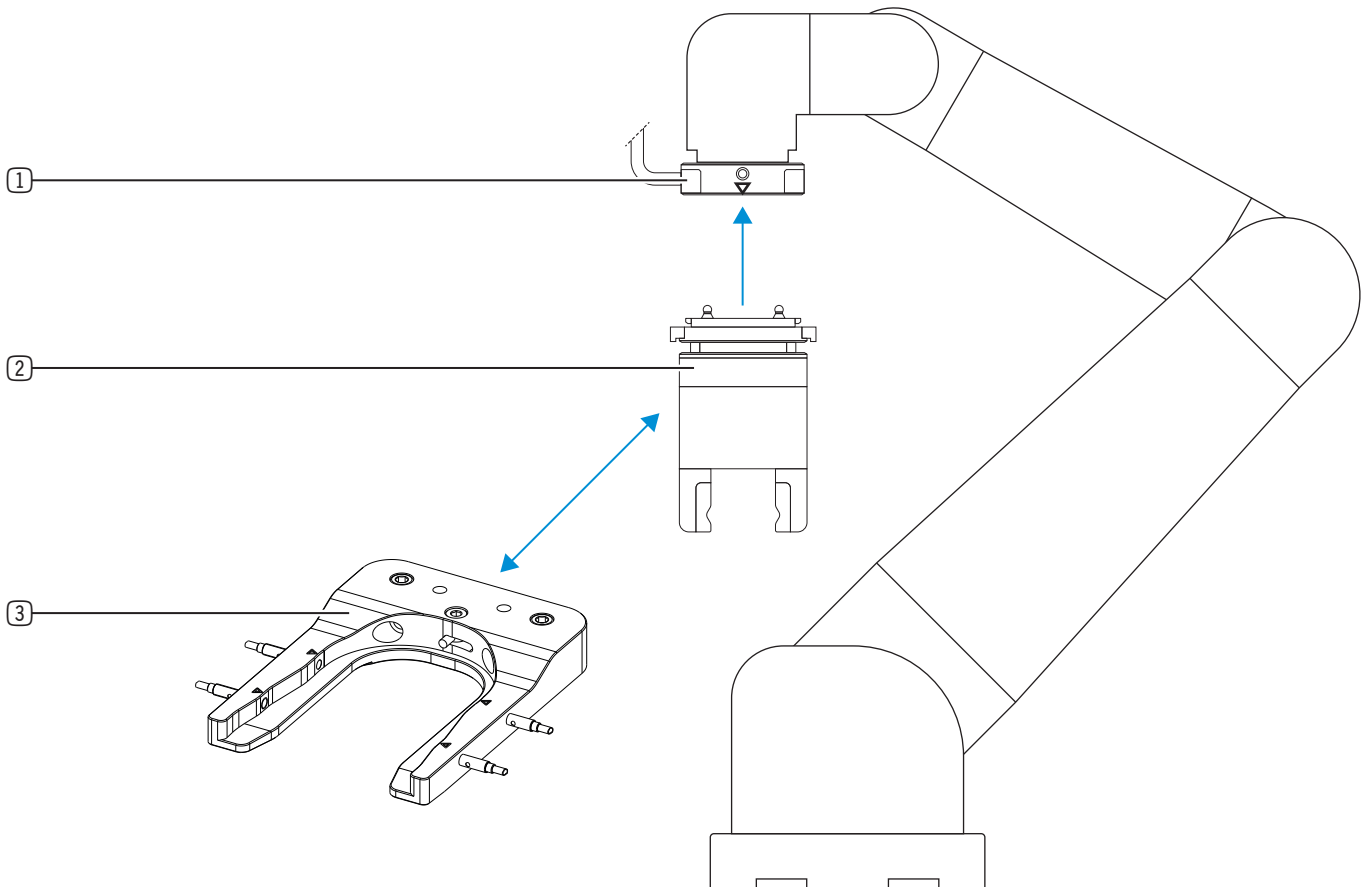
An electric digital gripper is installed in the product.

The basic and proven safety principles from EN ISO 13849-1 can be complied with only if original parts from Zimmer GmbH are used.

The original parts from Zimmer GmbH required for the safety principles are:

- ① MATCH robot module (LWR50F-xx)
- ② MATCH gripper (LWR50L-xx)
- ③ MATCH storage station (ALWR1-50-A) (sensors optional)

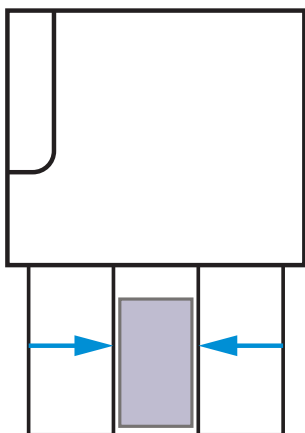
For the overall safety of the function, all three components (MATCH robot module, MATCH gripper, and MATCH storage station) must be taken into account (see "Functional Safety" section).



5.1 Possible applications

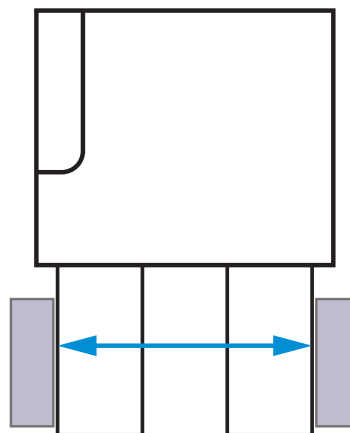
Outside gripping

The product can be used for outside gripping.



Inside gripping

The product can be used for inside gripping.

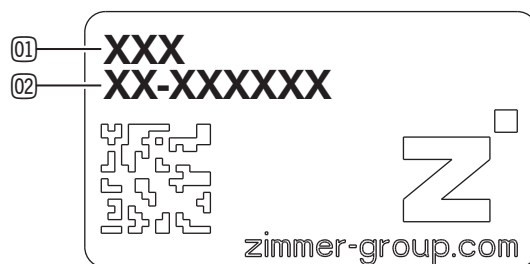


5.2 Type plate

A type plate is attached to the housing of the product.

The article number and confirmation number are shown on the type plate.

- ① Article number
- ② Confirmation number



5.3 Product variants and compatibility

INFORMATION



- ▶ You can find information on our website.
- ▶ Please contact Customer Service if you have any questions.

5.4 Use in applications

The criteria listed below justify the suitability of the product for use in collaborative applications:

- The product has been designed in accordance with the specifications of ISO/TS 15066.
- The power of the motor in combination with the transmission design and the pre-assembled gripper jaws is not sufficient to generate a gripping force > 140 N upon vulnerable areas of the body.
- The gripping forces generated when gripping soft objects are significantly reduced, since the amount of dynamic force is lowered. Compliance with the maximum permitted gripping force has been verified using a suitable measuring instrument.
- The product is engineered to be inherently safe and is designed with rounded edges and shapes that prevent crushing and shearing points from being created.

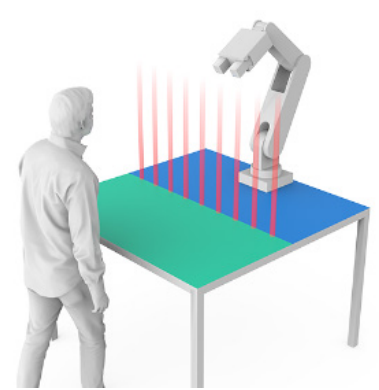
Automation cell

Separated workspaces



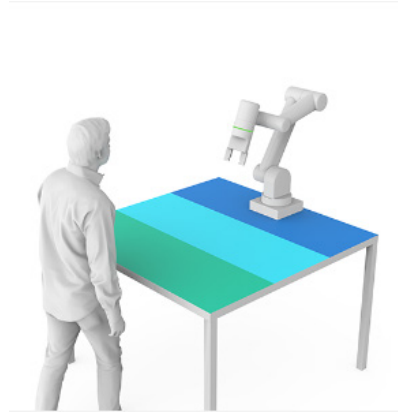
Coexistence

Detection of presence



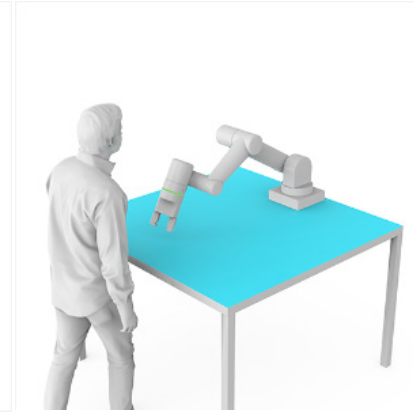
Cooperation

Zones of action



Collaboration

Shared workspaces



6 Functional description

The gripper jaws of the product are arranged parallel to each other on two opposing guide rails and can be moved relative to each other.

The force of the motor is transmitted by a worm drive. A pinion and a rack generate the movement of the gripper jaws and synchronize these movements.

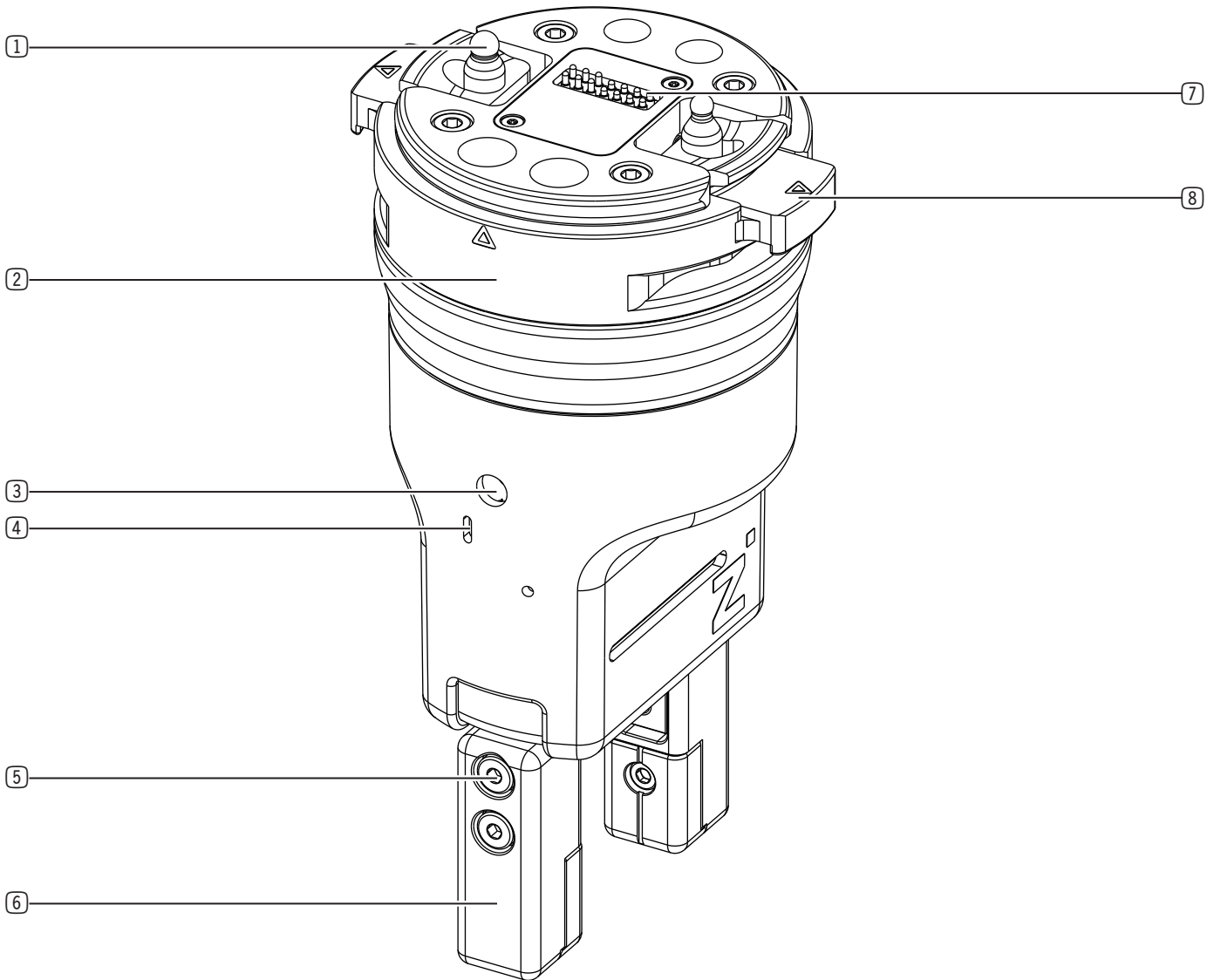
Despite its small installation space, the product is suited for gripping a wide range of form-fit and frictional fit parts.

The product can be easily integrated into the existing control system.

The gripping force can be adapted optimally to the workpiece conditions.

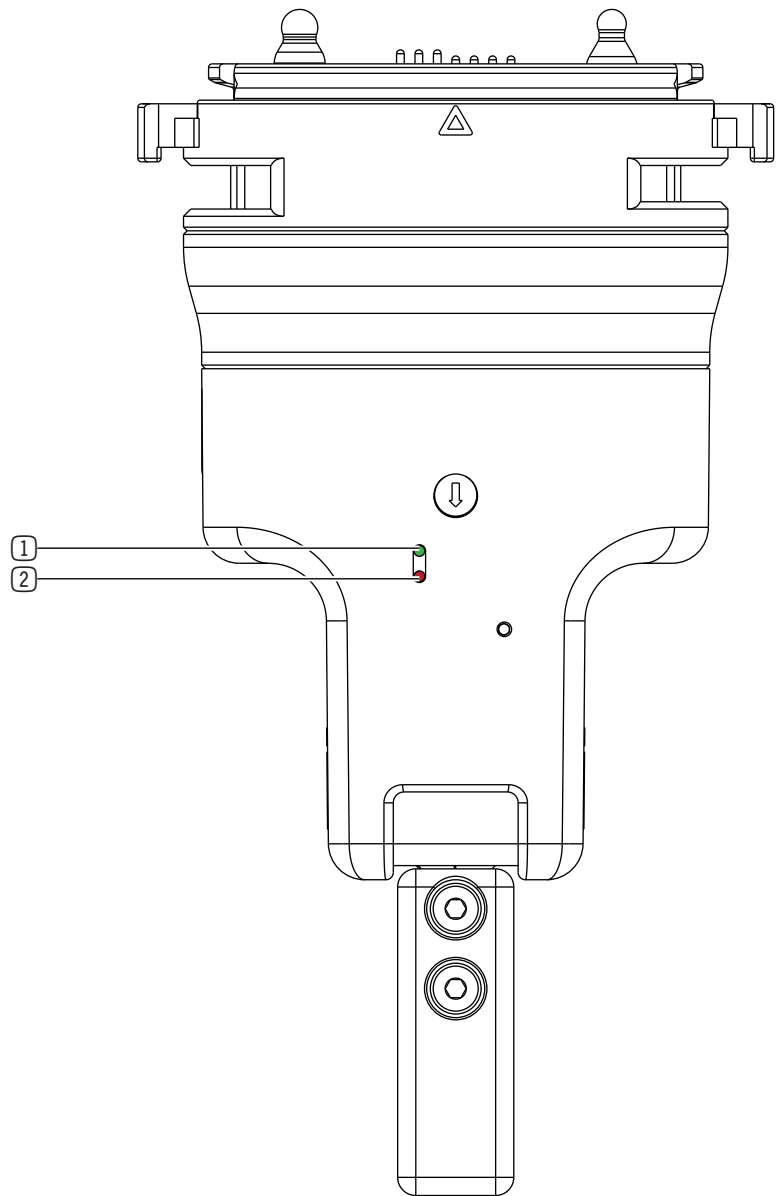
The product has the hot plug function, which enables changing a MATCH gripper while electrified.

The MATCH gripper is designed in such a way that incorrect insertion into the MATCH storage station is impossible.



- | | | | |
|---|---------------------------------------|---|----------------------------|
| ① | Rotation prevention/torque absorption | ⑤ | Removable centering sleeve |
| ② | MATCH gripper for quick-change system | ⑥ | Gripper jaw |
| ③ | <p>Adjustable gripping force</p> | ⑦ | Signal transmission |
| ④ | LED display | ⑧ | Locking |

6.1 LED status display



- ① Power/communication
- ② Error

6.2 Sensors

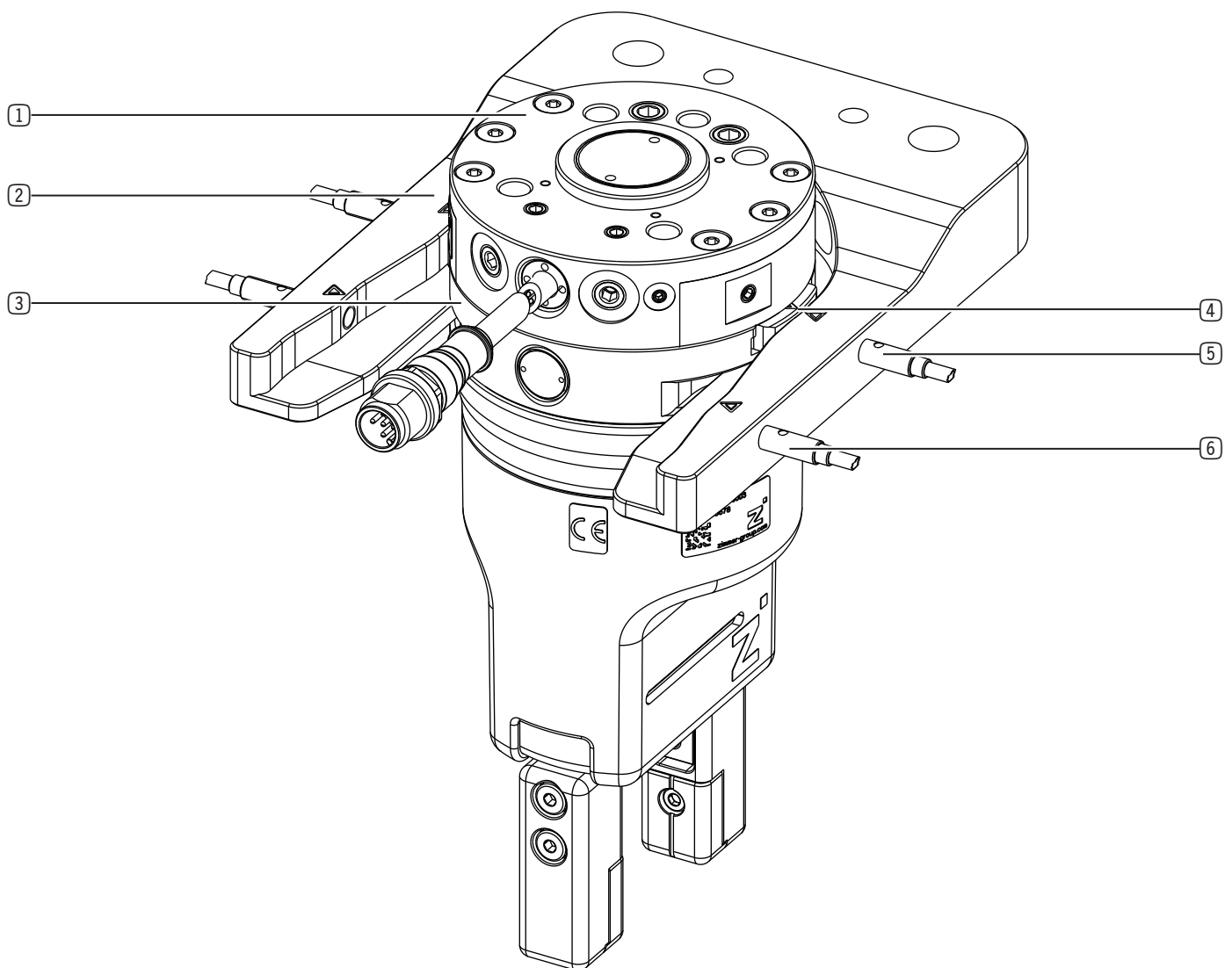
Example image of a combination consisting of a MATCH robot module, MATCH gripper, and MATCH storage station. Check up to two sensors in the storage position to see whether the MATCH gripper is present in the MATCH storage station. Then move the MATCH robot module onto the MATCH gripper from above. The centering pins of the MATCH gripper help in insertion.

The robot, along with the MATCH robot module and MATCH gripper, moves to the inspection position sensors in the MATCH storage station.

The two sensors in the inspection position (test channel) respond if the lockings are extended and make contact in the MATCH robot module.

When the MATCH robot module and MATCH gripper are joined, the internal spring-pin contacts for signal transmission are contacted.

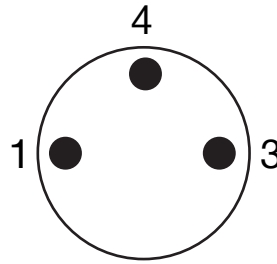
Then the Connect LED changes color from red to green and a Connect signal (depending on the variant) is passed to the higher-level control system.



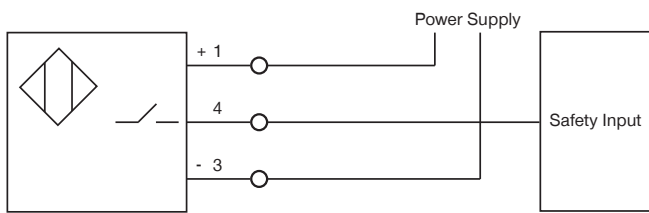
- | | |
|--|--|
| ① MATCH robot module for quick-change system | ④ Locking |
| ② MATCH storage station | ⑤ Sensor in storage position (MATCH gripper present) |
| ③ MATCH gripper for quick-change system | ⑥ Sensor in inspection position (test channel, locking extended) |

6.2.1 Wiring diagram sensor system

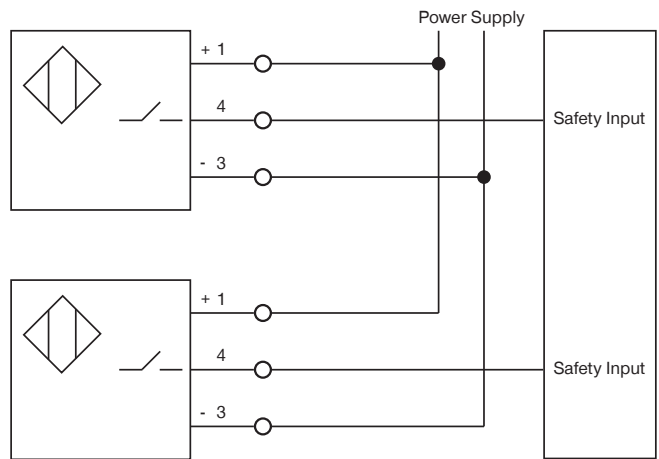
Sensor plug connection M8 3-pin:



Graphical symbol for sensor in storage position



2 sensors in inspection position connected in series



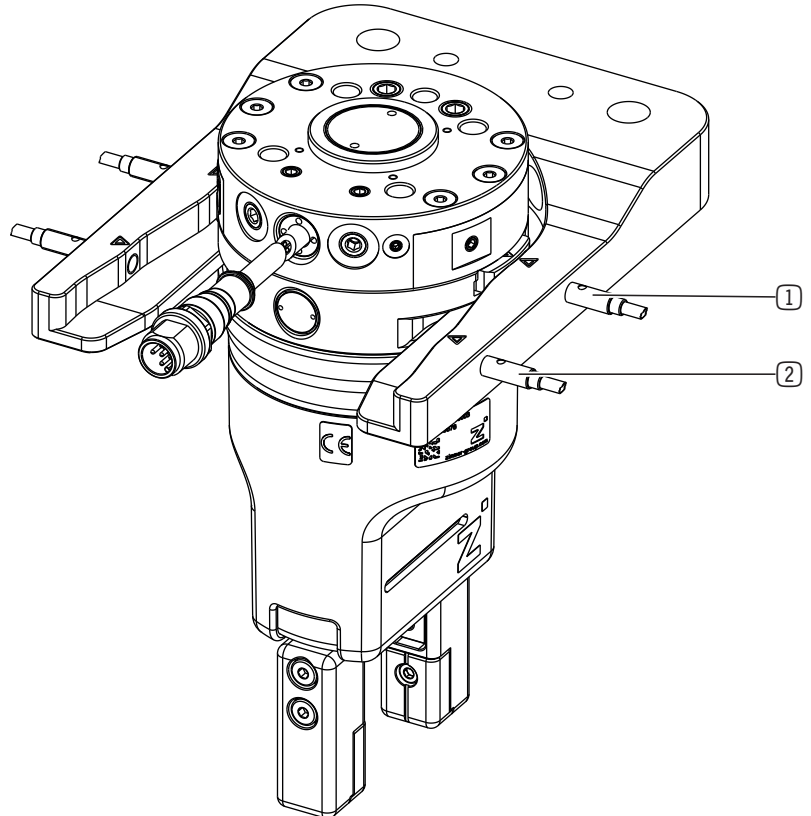
6.2.2 Adjust the sensors in the inspection position

- ▶ Bring the markings on the locking elements of the MATCH gripper to the position of the front markings of the MATCH storage station.
- ▶ Turn in the sensors until they emit a signal.
- ▶ Fasten the sensors at this position.
- ▶ Coat the sensors with sealing lacquer.

6.2.3 Adjust the sensors in the storage position

- ▶ Position an MATCH gripper in the MATCH storage station.
- ▶ Turn in the sensors until they emit a signal.
- ▶ Coat the sensors with sealing lacquer.

- ① Sensor in storage position (MATCH gripper present)
- ② Sensor in inspection position (test channel, locking extended)



6.3 Functional safety

For the overall safety of the function, all three components (MATCH robot module, MATCH gripper and MATCH storage station) must be taken into account.

The safety function that ensures secure locking between the MATCH robot module and MATCH gripper of the product is implemented via two redundant action channels that consist of a mechanical locking and springs.

Technical supplementary safety measures (sensors) provide a high degree of diagnostic coverage. The product can thus be classified into control category 3 in accordance with Chapter 6.2.6 of DIN EN ISO 13849-1. According to Figure 5, Chapter 4.5.4 of the specified standard, the PL d can be achieved with this product.

Fault elimination in accordance with DIN EN ISO 13849-2, Annex A, Table A2 and A3 for the helical compression springs used can be given.

6.4 Control

INFORMATION



- ▶ You can find the information in the technical data sheet on our website.
- ▶ Please contact Customer Service if you have any questions.

6.5 Verified configuration examples

INFORMATION



- ▶ You can find the information in the technical data sheet on our website.
- ▶ Please contact Customer Service if you have any questions.

6.6 Self-locking mechanism

INFORMATION



- ▶ The product has a mechanical self-locking mechanism to ensure that the workpiece remains held by the product in the event of power supply loss or failure (e.g. an emergency stop).
- ▶ Please contact Customer Service if you have any questions.

7 Technical data

INFORMATION



- ▶ You can find the information in the technical data sheet on our website.
- This data varies within the series, depending on the specific design.
- ▶ Please contact Customer Service if you have any questions.

8 Accessories/scope of delivery

INFORMATION



- If any accessories not sold or authorized by Zimmer GmbH are used, the function of the product cannot be guaranteed. Zimmer GmbH accessories are specifically tailored to the individual products.
- ▶ For optional accessories and those included in the scope of delivery, refer to our website.

9 Transportation/storage/preservation

- ▶ Transport and storage of the product must be done only with the original packaging.
- ▶ If the product has already been installed on the superordinate machine unit, care must be taken during transport to ensure that no unexpected movements can occur.
 - ▶ Before commissioning the product and after transport, check all power and communication connections as well as all mechanical connections.
- ▶ If the product is stored for an extended period, the following points are to be observed:
 - ▶ Keep the storage location as dust-free and dry as possible.
 - ▶ Avoid temperature fluctuations.
 - ▶ Avoid wind/drafts/water condensation formation.
 - ▶ Pack the product and do not expose it to direct sunlight during storage.
- ▶ Clean all components. There must be no soiling left on the components.
- ▶ Visually inspect all components.
- ▶ Remove all foreign substances.
- ▶ Properly remove potential corrosion spots.
- ▶ Close electrical connections using suitable covers.

10 Installation

WARNING



Risk of injury due to uncontrolled movements

Risk of injury in case of unexpected movement of the machine or system into which the product is to be installed.

- ▶ Switch off the energy supply of the machine before any work.
- ▶ Secure the power supply against being switched on unintentionally.
- ▶ Check the machine for any residual energy that may be present.

CAUTION



Risk of injury due to uncontrolled movements

Risk of injury in the event of uncontrolled movement of the product when the power supply is connected.

- ▶ Switch off the power supply to the machine before carrying out any work.
- ▶ Secure the power supply against being switched on unintentionally.
- ▶ Check the machine for any residual energy that may be present.

NOTICE



Installation may only be carried out by qualified personnel in accordance with these installation and operating instructions.

- ▶ Switch off the power supply before any assembly, installation or maintenance work.

10.1 Installing the product

INFORMATION



- ▶ For information, refer to the installation and operating instructions of the MATCH robot module on our website.
 - LWR50F

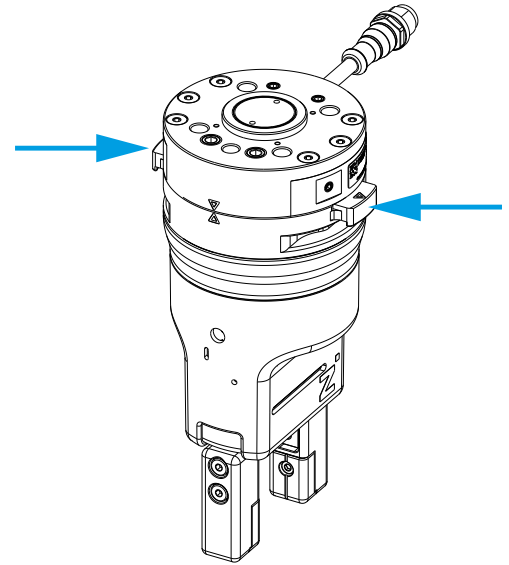
Fasten the product on the MATCH robot module. No assembly work is necessary for the product. The end effector is already connected to the loose part.

10.1.1 Installing the MATCH robot module and MATCH gripper

Example image of a combination consisting of a MATCH robot module, MATCH gripper, and MATCH storage station.

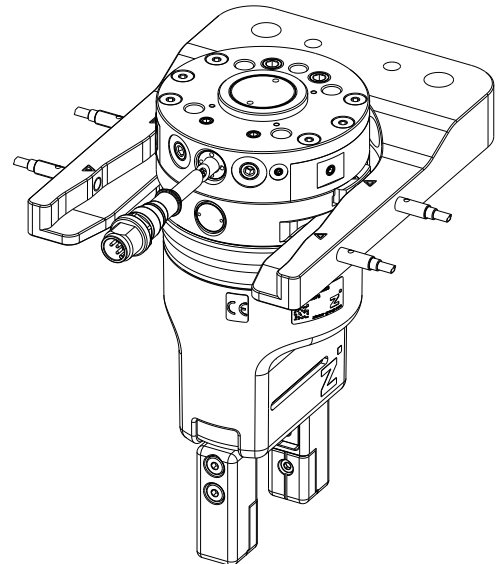
Manual exchange:

The MATCH gripper can be installed on the MATCH robot module and locked manually.



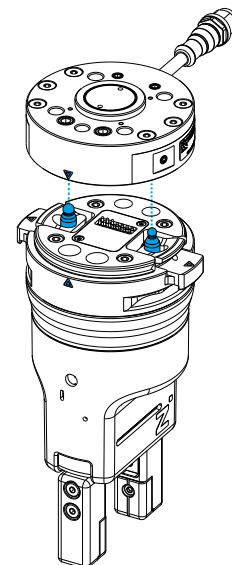
Automatic exchange:

The MATCH robot module is moved to the MATCH gripper in the MATCH storage station and locked by means of the MATCH storage station (see "Sensors" section).



Rotation prevention:

The design rules out incorrect joining, as the MATCH gripper is equipped with two different bolts.



10.2 Installing the energy supply

NOTICE



Installation of voltage supply is done internally. This means that the MATCH gripper is equipped with internal contacts. These contacts transmit all signals.

- ▶ The contacts of the energy supply must be dry, clean and undamaged at all times.
- ⇒ Damage to the contacts can result in malfunction of the product.

10.3 Static charge

CAUTION



Non-compliance may result in material damage.

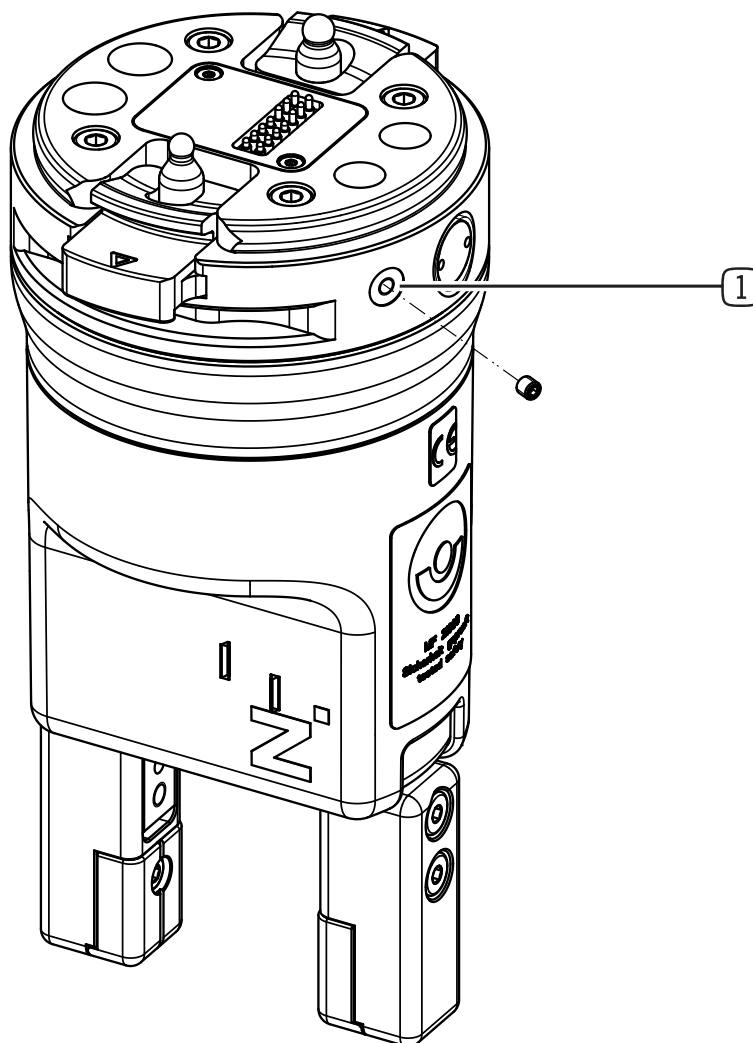
- ▶ Grounding the product is recommended if ESD sensitive parts come into contact with the product.
- ▶ Grounding is also recommended in applications that require high EMC shielding.

The movement of the gripper jaws creates low voltages as a result of static charging. These charges cannot be dissipated if the product is mounted on an insulating surface and if discharge is also not possible through the workpiece.

NOTICE



- ▶ Pay attention to the functional ground via the connection point.



① Connection point

10.4 Heat dissipation

In the event of high ambient temperatures, the product must be installed on heat-dissipating materials.

If the product is operated under very high ambient temperatures and with fast clock cycles on an ongoing basis, this might reduce its service life.

INFORMATION



- ▶ The cycle time must therefore be reduced as the temperature increases.

10.5 Installing accessories

NOTICE



- ▶ Before installing an accessory, make sure it is suitable for use with the selected variant.
 - ▶ You can find information on our website.
 - ▶ Please contact Customer Service if you have any questions.
-

11 Commissioning

11.1 Restart

INFORMATION



- ▶ Make sure that there is no signal present at Pin 1 and Pin 2 when the product is restarted.
 - Requirement for a cold start: Pin 2 and Pin 4 = 0 V
- ⇒ The product is ready to operate when the green LED lights up.
- ⇒ The product can be moved a few milliseconds after voltage is supplied.

11.2 Switching sequence

A movement in the desired direction occurs when the corresponding signal is at a high level. After a high level is detected, the gripper movement occurs until the gripping process ends.

- ▶ Reset the signal after the gripper travels.
- ▶ Enter a signal in the opposite direction.
- ▶ Between withdrawing the signal and the next command, adhere to a pause time of 10 ms.

NOTICE



In order to prevent damage to the product, the resistance between the analog output and GND must be at least 10 kΩ.

INFORMATION



The switching sequence applies to compatible MATCH robot modules only.

INFORMATION

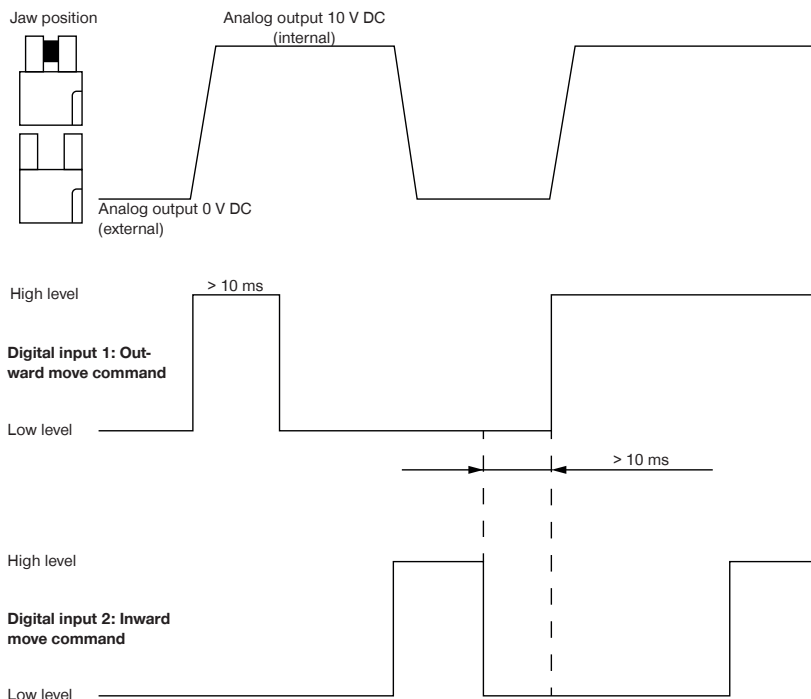


The following figure shows the controller for NPN.

When controlling for PNP, the command starts at low level instead of high level.

- ▶ You can find the information about the controller on the technical data sheet for the MATCH robot module on our website.

The current jaw position is scaled from 0 V DC (external) to 10 V DC (internal) and is issued via the analog output.



11.3 Minimum travel path

The product requires a certain minimum travel path to move to the desired position.

The minimum travel path depends on the desired gripping force and the dimensions of the gripper fingers.

Design size	Minimum travel path per gripper jaw [mm]
LWR50L-03-00002-A	0.5
LWR50L-03-00003-A	0.5

12 Operation

NOTICE



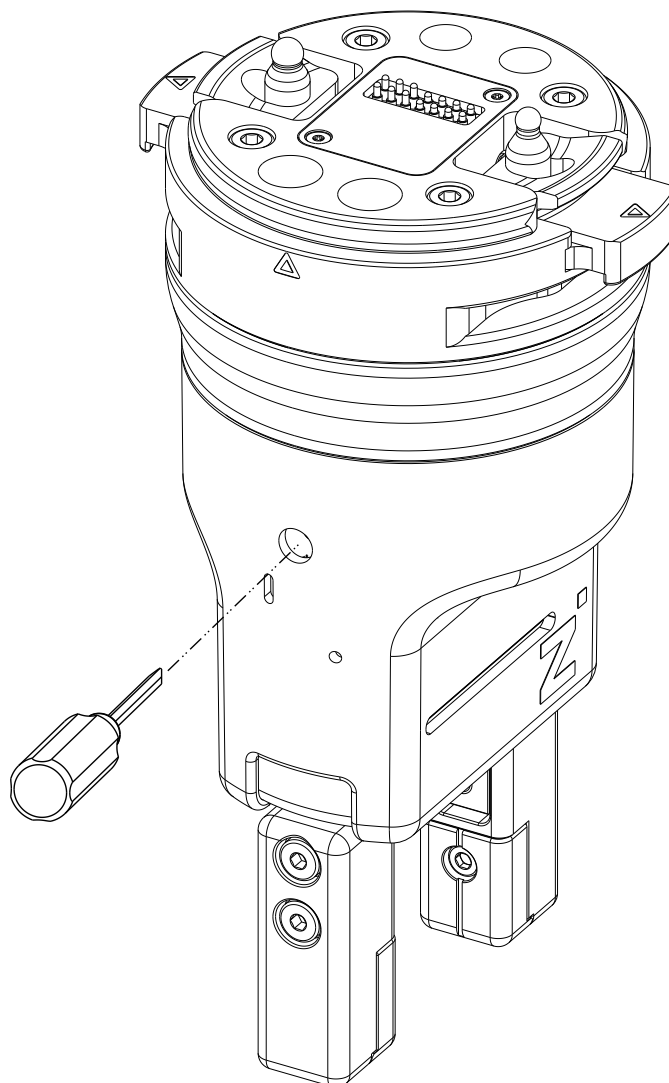
In the event of a power failure, the gripper jaws remain in their positions and the gripping force of the product stays constant.

The gripper jaws can be opened using the emergency release if the energy supply drops off.

► Please contact Customer Service if you have any questions.

12.1 Adjustable gripping force

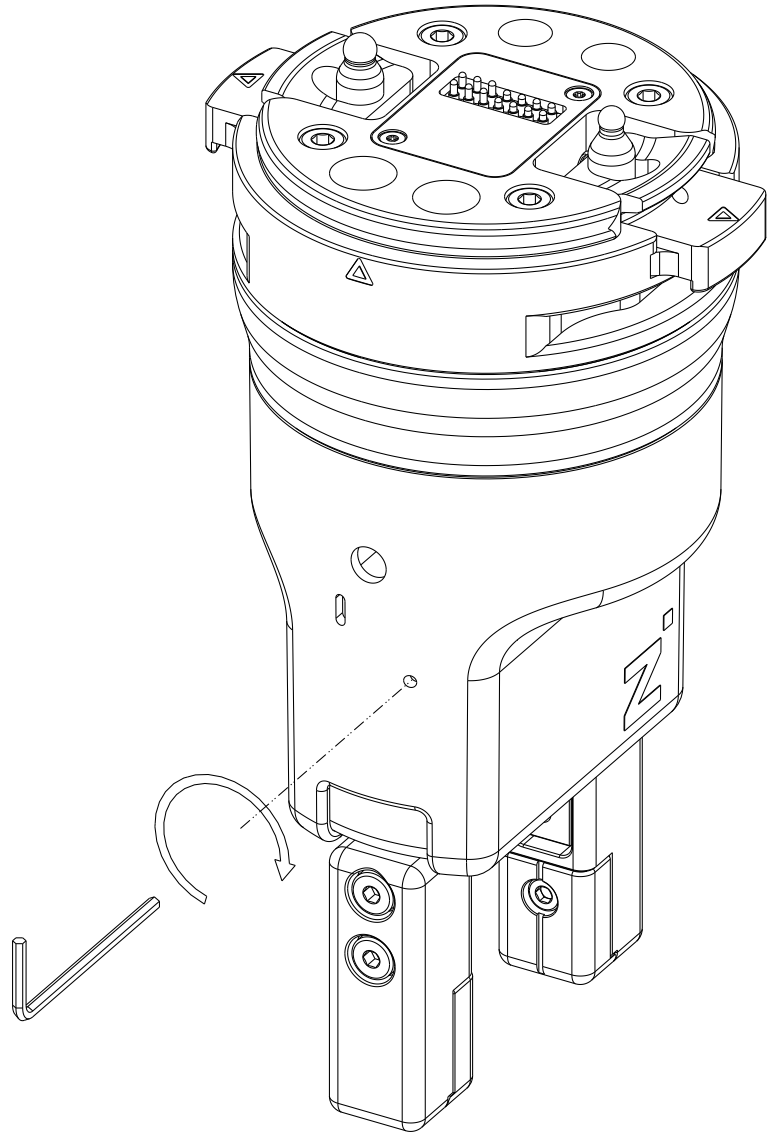
The gripping force can be adjusted in four stages using a rotary switch.



12.2 Emergency release

The product features an emergency release that can be mechanically opened with an Allen key in the event of a power failure.

Design size	Wrench size [mm]
LWR50L-03	1.5









13 Gripping force charts

INFORMATION



- ▶ You can find information on our website.
- ▶ Please contact Customer Service if you have any questions.

14 Status in LED display

	Green LED lights up continuously.	<ul style="list-style-type: none"> No error
	Red LED flashes every second. Green LED lights up continuously.	<ul style="list-style-type: none"> Loss of workpiece detected.
	Red LED lights up continuously.	<ul style="list-style-type: none"> Actuator supply not OK
	Red LED flashes every second. Green LED does not light up.	<ul style="list-style-type: none"> Internal error
	Red LED flashes every second. Green LED flashes every second (at the same time).	<ul style="list-style-type: none"> No reference position A reference run must be performed.
	Red LED flashes every second. Green LED flashes every second (alternating).	<ul style="list-style-type: none"> A reference run is being performed.

15 Maintenance

CAUTION



Material damage resulting from blowing out with compressed air

Blowing out the product with compressed air can cause malfunctions and pose a risk of accidents.

- ▶ Never purge the product with compressed air.

CAUTION



Material damage caused by liquid and solvent-based cleaners

Liquid and solvent-based cleaning agents can cause malfunctions and pose a risk of accidents.

- ▶ Do not clean the product with any cleaning agents that are liquid or contain solvents.

Maintenance-free operation of the gripper is guaranteed for up to **5 million cycles**.

Maintenance-free operation of the MATCH gripper for quick-change system is guaranteed for up to **100,000 change cycles** (hot plug).

The maintenance interval may be shortened under the following circumstances:

- Dirty environment
 - Improper use and use that does not comply with the power specifications.
 - Ambient temperature is too high.
 - ▶ Even though the product is maintenance-free as mentioned above, perform a regular visual inspection to check for any corrosion, damage or contamination.
 - ▶ Have maintenance work be performed by Customer Service whenever possible.
- ⇒ Dismantling and reassembling the product without authorization may result in complications, as special installation equipment is required in some cases. Zimmer GmbH accepts no liability for any resulting malfunctions or damage.

NOTICE



Material damage due to leaking lubricant

Excessive lubrication can cause moving machine parts to leak lubricant. This can contaminate the machine, object being gripped or workpiece.

- ▶ Only use approved or recommended lubricants.
- ▶ Observe the manufacturer information for use of specific lubricants.
- ▶ Adhere to the lubrication interval.
- ▶ Avoid excessive lubrication.
- ▶ Remove leaking lubricant immediately and thoroughly.
- ▶ Replace damaged seals.

16 Decommissioning/disposal

INFORMATION



When the product reaches the end of its operational phase, it can be completely disassembled and disposed of.

- ▶ Disconnect the product completely from the power supply.
- ▶ Dispose of the components properly according to the material groups.
- ▶ Comply with the locally applicable environmental and disposal regulations.

17 RoHS declaration

in terms of the EU Regulation 2011/65/EU

Name and address of the manufacturer:

Zimmer GmbH

📍 Im Salmenkopf
77866 Rheinau, Germany
☎ +49 7844 9138 0
✉ info@zimmer-group.com
🌐 www.zimmer-group.com

We hereby declare that the incomplete machine described below

Product designation: 2-jaw parallel gripper with quick-change system

Type designation: LWR50L-03-00002-A/LWR50L-03-00003-A

conforms to the requirements of the directive in its design and the version we put on the market.

Michael Hoch
Authorized representative for the
compilation of relevant technical
documents

Rheinau, Germany, 2021-04-01
(Place and date of issuance)



Martin Zimmer
(Legally binding signature)
Managing Partner

18 REACH declaration

In terms of the EC Regulation 1907/2006

Name and address of the manufacturer:

Zimmer GmbH

📍 Im Salmenkopf
77866 Rheinau, Germany
☎ +49 7844 9138 0
✉ info@zimmer-group.com
🌐 www.zimmer-group.com

REACH stands for **R**egistration, **E**valuation, **A**uthorisation and **R**estriction of **C**hemicals.

A full declaration of REACH can be obtained from the manufacturer due to the duty to notify in accordance with Art. 33 of the REACH regulation ("Duty to communicate information on substances in articles").

Michael Hoch
Authorized representative for the
compilation of relevant technical
documents

Rheinau, Germany, 2021-04-01
(Place and date of issuance)



Martin Zimmer
(Legally binding signature)
Managing Partner

19 Declaration of Incorporation

In terms of the EU Machinery Directive 2006/42/EC (Annex II 1 B)

Name and address of the manufacturer:

Zimmer GmbH

📍 Im Salmenkopf
77866 Rheinau, Germany
☎ +49 7844 9138 0
✉ info@zimmer-group.com
🌐 www.zimmer-group.com

We hereby declare that the incomplete machine described below

Product designation: 2-jaw parallel gripper with quick-change system

Type designation: LWR50L-03-00002-A/LWR50L-03-00003-A

conform to the requirements of the Machinery Directive, 2006/42/EC, Article 2g, Annex VII.b – Annex II.b, in its design and the version we put on the market.

Basic health and safety requirements:

No. 1.1.2, No. 1.1.3, No. 1.5, No. 1.3.2, No. 1.3.4, No. 1.3.7, No. 1.5.3, No. 1.5.4, No. 1.5.8, No. 1.6.4, No. 1.7.1, No. 1.7.4

A full list of applied standards can be obtained from the manufacturer.

We also declare that the specific technical documents were produced in accordance with Annex VII Part B of this Directive. We undertake to provide the market supervisory bodies with electronic versions of special documents for the incomplete machine through our documentation department, should they have reason to request them.

The incomplete machine may only be commissioned if it has been ascertained, if applicable, that the machine or system in which the incomplete machine is to be installed satisfies the requirements of Directive 2006/42/EC on Machinery and an EC Declaration of Conformity has been drawn up in accordance with Annex II 1 A.

Kurt Ross

Authorized representative for the compilation of relevant technical documents

Rheinau, Germany, 2021-04-01

(Place and date of issuance)

Martin Zimmer
(Legally binding signature)
Managing Partner

20 Declaration of Conformity

As defined by the EC Directive 2014/30/EU on electromagnetic compatibility

Name and address of the manufacturer:

Zimmer GmbH

- 📍 Im Salmenkopf
77866 Rheinau, Germany
- ☎ +49 7844 9138 0
- ✉ info@zimmer-group.com
- 🌐 www.zimmer-group.com

We hereby declare that the products described below

- Product designation:** 2-jaw parallel gripper with quick-change system
- Type designation:** LWR50L-03-00002-A/LWR50L-03-00003-A

conform to the requirements of the Electromagnetic Compatibility Directive 2014/30/EU in its design and the version we put on the market.

The following harmonized standards have been used:

- DIN EN ISO 12100 Safety of machinery - General principles for design - Risk assessment and risk reduction
- DIN EN 61000-6-3 EMC Generic standard, Emission standard for residential, commercial and light-industrial
- DIN EN 61000-6-2 EMC Generic standard, Emission standard for industrial environments
- DIN EN 61000-6-4 EMC Generic standard, Immunity for industrial environments

A full list of applied standards can be obtained from the manufacturer.

Kurt Ross
Authorized representative for the compilation of relevant technical documents

Rheinau, Germany, 2021-04-01
(Place and date of issuance)



Martin Zimmer
(Legally binding signature)
Managing Partner