

# CHANGEABLE JAW, FIX-PART WB5030F

# CHANGEABLE JAW, LOOSE-PART-SET WB5030L

## ▶ PRODUCT SPECIFICATIONS



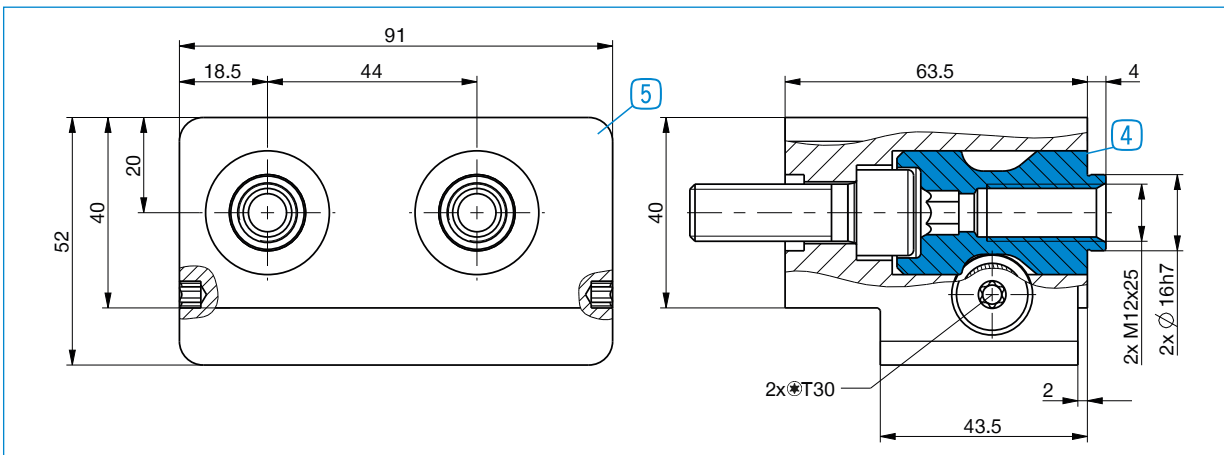
5 Changeable jaw, fix-part



4 Changeable jaw, loose-part-set

### ▶ Technical data

Order no.	WB5030F	WB5030L
Compatible with installation size	GPP5030 / GPD5030	GPP5030 / GPD5030
Tightening torque [Nm]	20	
Packaging unit [piece]	1	2
Certifications	LABS / REACH / RoHS	LABS / REACH / RoHS
Weight [kg]	1.8	0.22



For each gripper jaw, one interchangeable jaw loose part set (4) and one interchangeable jaw fixed part (5) are needed