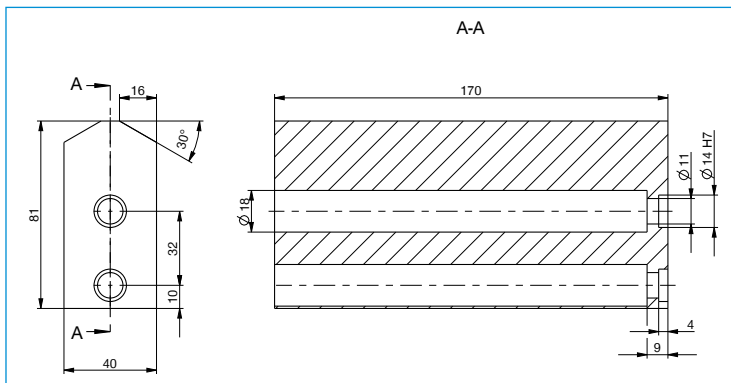


UNIVERSAL JAW

UB5016AL / UB5016ST

▶ Technical data		
Order no.	UB5016AL	UB5016ST
Compatible with installation size	GPP5016 / GPD5016	GPP5016 / GPD5016
Material	Aluminium	Steel
Weight [kg]	1.2	3.5



One universal jaw is required for each gripper jaw