

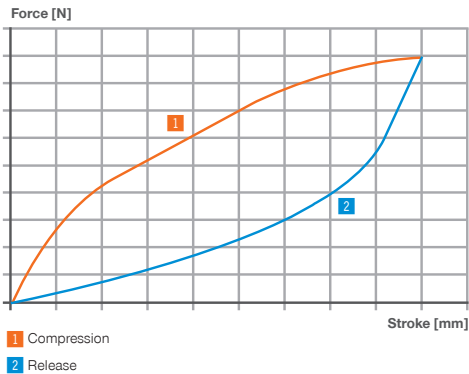
# PROFILE DAMPERS BASICSTOP SERIES AXIAL STANDARD

## ▶ PRODUCT SPECIFICATIONS



▶ <b>Design</b>	Axial
▶ <b>Shore hardness, hard</b>	55D
▶ <b>Shore hardness, medium</b>	40D
▶ <b>Damping proportion Hard</b>	up to 75 %
▶ <b>Damping proportion Medium</b>	up to 65 %
▶ <b>Impact speed</b>	0,1 ... 5 [m/s]
▶ <b>Permitted temperature range</b>	-50 ... +90 [°C]
▶ <b>Angle of Impact max.</b>	15 [°]
▶ <b>PWIS-free</b>	Yes
▶ <b>RoHS compliant</b>	Yes
▶ <b>REACH compliant</b>	Yes

## ▶ TECHNICAL DATA



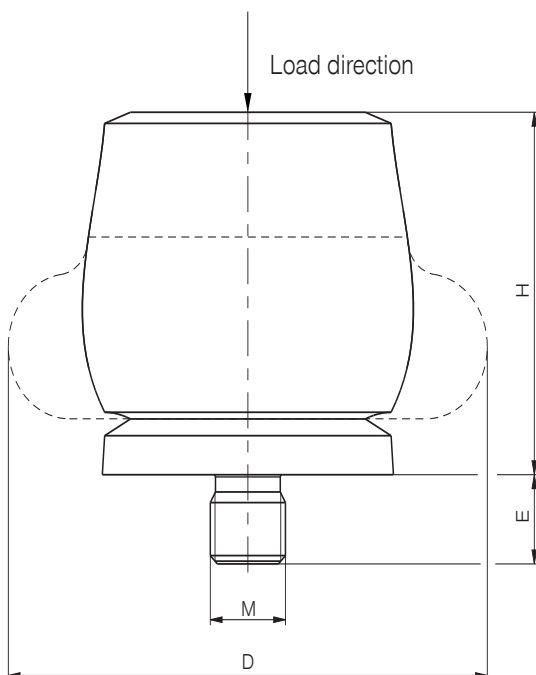
### ▶ Installation instructions

#### Order No.

TPC-M2-A  
TPC-M3-A  
TPC-M4-A  
TPC-M5-A  
TPC-M6-A  
TPC-M8-A  
TPC-M12-A  
TPC-M16-A

Thread	Wrench size [mm]	Tightening torque [Nm]	Weight [g]
M2	1.3	0.3	1
M3	2	1	1
M4	2.5	2	1
M5	3	3	2
M6	5	5	4
M8	6	12	13
M12	10	40	29
M16	14	100	94

The profile dampers must completely contact the underside.  
The screws are included in the scope of delivery of the respective BasicStop structural damper. These can also be ordered individually.



## TECHNICAL DATA

### Axial Standard

Order No.	Energy absorption max.		Stroke max.	Height	Diameter D			Screw-in length	Thread	Weight
	Continuous operation		Emergency stop operation	H at stroke=0				E max.		
	per stroke	per hour	per stroke	Stroke=0	Stroke=0	Stroke=max.			(incl. screw)	
	[J]	[J/h]	[J]	[mm]	[mm]	[mm]	[mm]	[mm]	[g]	
TPC-AS7X8H	0.5	15	0.8	3	7	8	9	2	M2	1
TPC-AS11X12H	2	60	3	5	11	12	15	3	M3	1
TPC-AS16X17H	6	180	9	6	16	17	21	4	M4	4
TPC-AS18X21H	10	300	16	9	18	21	26	5	M5	6
TPC-AS19X22H	11.5	345	21	9	19	22	27	6	M6	9
TPC-AS26X28H	29	870	46	12	26	28	36	6	M6	15
TPC-AS30X34H	48	1,440	87	14	30	34	43	6	M6	22
TPC-AS33X37H	65	1,950	112	16	33	37	48	6	M6	28
TPC-AS35X39H	82	2,460	130	16	35	39	50	8	M8	41
TPC-AS38X43H	112	3,360	165	18	38	43	55	8	M8	53
TPC-AS41X46H	140	4,200	173	19	41	46	59	12	M12	77
TPC-AS45X50H	170	5,100	223	22	45	50	64	12	M12	86
TPC-AS47X53H	201	6,030	334	22	47	53	68	12	M12	100
TPC-AS51X57H	242	7,260	302	24	51	57	73	12	M12	117
TPC-AS54X62H	304	9,120	361	25	54	62	77	12	M12	131
TPC-AS57X65H	374	11,220	468	27	57	65	82	12	M12	152
TPC-AS60X69H	421	12,630	524	29	60	69	86	12	M12	174
TPC-AS65X71H	482	14,460	559	31	65	71	91	16	M16	258
TPC-AS69X79H	570	17,100	831	32	69	79	100	16	M16	312
TPC-AS74X82H	683	20,490	921	35	74	82	105	16	M16	348
TPC-AS76X85H	797	23,910	1043	36	76	85	109	16	M16	385
TPC-AS80X89H	934	28,020	1249	38	80	89	114	16	M16	431
TPC-AS86X97H	1147	34,410	1555	40	86	97	123	16	M16	516
TPC-AS101X116H	2014	60,420	2951	48	101	116	146	16	M16	803

Order No.	per stroke	per hour	per stroke	[mm]	[mm]	[mm]	[mm]	[mm]	[mm]	[g]
TPC-AS7X7M	0.3	9	0.4	3	7	7	9	2	M2	1
TPC-AS12X11M	0.9	27	1.4	6	12	11	15	3	M3	1
TPC-AS15X14M	2	60	3	7	15	14	19	4	M4	2
TPC-AS19X17M	4	120	6	9	19	17	24	5	M5	6
TPC-AS21X20M	6	180	7	11	21	20	27	6	M6	8
TPC-AS28X26M	11.5	345	15	14	28	26	37	6	M6	13
TPC-AS32X31M	23	690	26	16	32	31	44	6	M6	20
TPC-AS36X35M	30	900	36	19	36	35	48	6	M6	25
TPC-AS38X37M	34	1,020	42	19	38	37	51	6	M6	31
TPC-AS41X41M	48	1,440	63	21	41	41	55	12	M12	63
TPC-AS45X44M	63	1,890	72	23	45	44	60	12	M12	69
TPC-AS49X48M	81	2,430	91	25	49	48	64	12	M12	80
TPC-AS52X51M	92	2,760	114	27	52	51	69	12	M12	91
TPC-AS55X54M	122	3,660	158	29	55	54	73	12	M12	107
TPC-AS59X58M	149	4,470	154	31	59	58	78	12	M12	123
TPC-AS62X61M	163	4,890	169	32	62	61	83	16	M16	200
TPC-AS66X64M	208	6,240	254	34	66	64	87	16	M16	227
TPC-AS69X68M	227	6,810	272	35	69	68	92	16	M16	247
TPC-AS75X75M	291	8,730	408	38	75	75	101	16	M16	292
TPC-AS79X77M	352	10,560	459	40	79	77	105	16	M16	314
TPC-AS84X82M	419	12,570	620	44	84	82	110	16	M16	347
TPC-AS85X84M	475	14,250	635	43	85	84	115	16	M16	395
TPC-AS92X90M	580	17,400	778	47	92	90	124	16	M16	463
TPC-AS109X107M	902	27,060	966	56	109	107	147	16	M16	698

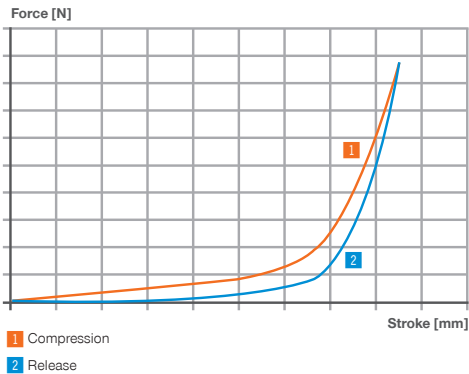
# PROFILE DAMPERS BASICSTOP SERIES AXIAL ADVANCED

## ▶ PRODUCT SPECIFICATIONS



▶ <b>Design</b>	Axial
▶ <b>Shore hardness, hard</b>	55D
▶ <b>Shore hardness, medium</b>	40D
▶ <b>Damping proportion Hard</b>	up to 65 %
▶ <b>Damping proportion Medium</b>	up to 65 %
▶ <b>Impact speed</b>	0,1 ... 5 [m/s]
▶ <b>Permitted temperature range</b>	-50 ... +90 [°C]
▶ <b>Angle of Impact max.</b>	15 [°]
▶ <b>PWIS-free</b>	Yes
▶ <b>RoHS compliant</b>	Yes
▶ <b>REACH compliant</b>	Yes

## ▶ TECHNICAL DATA



### ▶ Installation instructions

#### Order No.

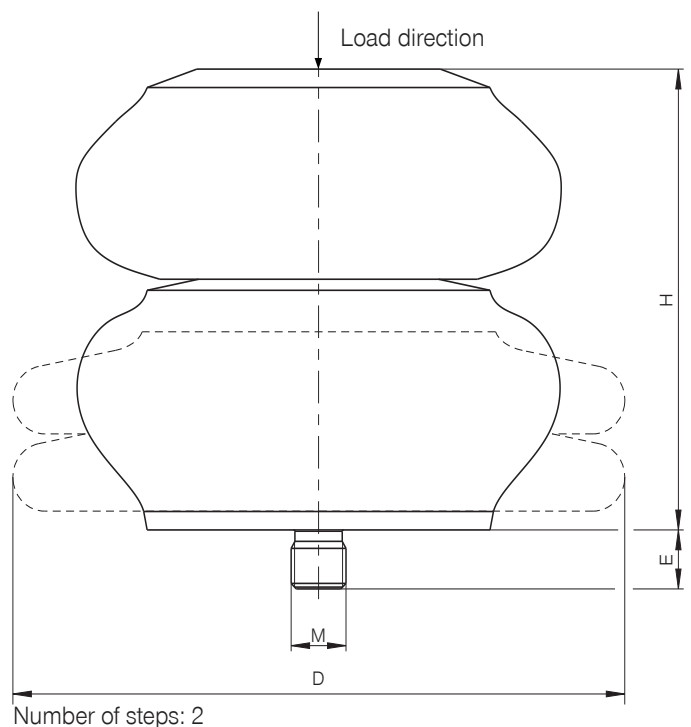
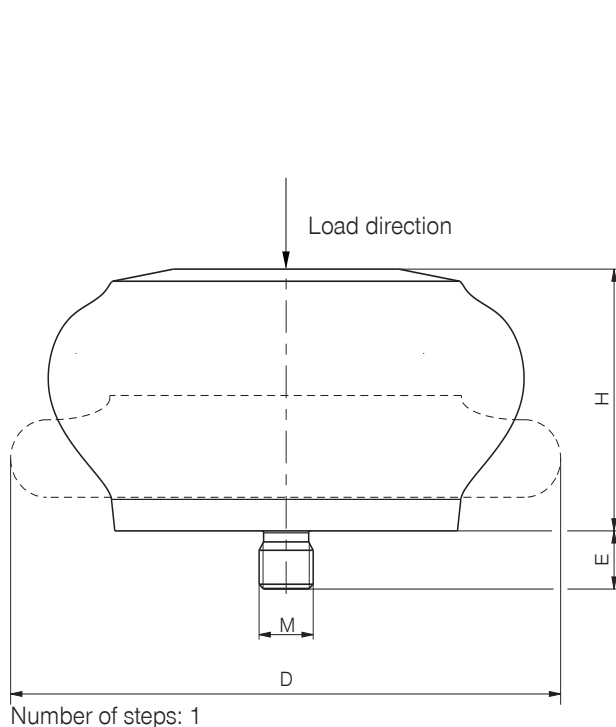
**TPC-M12-A**

**TPC-M16-A**

**TPC-M20-A**

Thread	Wrench size [mm]	Tightening torque [Nm]	Weight [g]
M12	10	40	29
M16	14	100	94
M20	14	185	190

The profile dampers must completely contact the underside.  
The screws are included in the scope of delivery of the respective BasicStop structural damper. These can also be ordered individually.



## TECHNICAL DATA

### ► Axial Advanced

	Order No.	Energy absorption max.			Stroke max. [mm]	Height H at stroke=0 [mm]	Diameter D			Number of steps	Screw-in length E max. [mm]	Thread	Weight (incl. screw) [g]
		Continuous operation		Emergency stop operation per stroke			Stroke=0	Stroke=0	Stroke=max.				
		per stroke	per hour										
		[J]	[J/h]	[J]									
MEDIUM / HARD	<b>TPC-AA79X64M</b>	450	13,500	630	62	79	64	89	2	12	M12	177	
	<b>TPC-AA96X74M</b>	980	29,400	1372	75	96	74	114	2	12	M12	241	
	<b>TPC-AA57X88M</b>	1210	36,300	1695	40	57	88	133	1	12	M12	285	
	<b>TPC-AA68X88H</b>	1640	49,200	2295	49	68	88	124	1	12	M12	286	
	<b>TPC-AA84X100M</b>	1785	53,550	2500	59	84	100	149	1	12	M12	515	
	<b>TPC-AA53X108H</b>	1900	57,000	2660	30	53	108	133	1	12	M12	394	
	<b>TPC-AA94X85M</b>	1940	58,200	2715	74	94	85	127	2	12	M12	325	
	<b>TPC-AA98X102H</b>	1970	59,100	2760	63	98	102	140	1	16	M16	645	
	<b>TPC-AA129X116M</b>	3710	111,300	5195	97	129	116	187	1	16	M16	1062	
	<b>TPC-AA106X136H</b>	4250	127,500	5950	65	106	136	178	1	16	M16	1195	
	<b>TPC-AA114X137M</b>	6350	190,500	8890	89	114	137	216	1	16	M16	1129	
	<b>TPC-AA224X152M</b>	7260	217,800	10165 *	176	224	152	241	2	20	M20	2370	
	<b>TPC-AA186X140M</b>	7310	219,300	10230 *	144	186	140	214	2	16	M16	1596	
	<b>TPC-AA118X146H</b>	8330	249,900	11660 *	67	118	146	191	2	16	M16	1535	
	<b>TPC-AA241X149M</b>	8860	265,800	12400 *	178	241	149	224	2	20	M20	2589	
<b>TPC-AA166X168M</b>	10100	303,000	14140 *	124	166	168	260	1	16	M16	2297		
<b>TPC-AA252X177M</b>	12725	381,750	17810 *	198	252	177	279	2	20	M20	3161		

\* Limit angle of impact in emergency stop operation to 2°