

# INTERNAL GRIPPER SERIES LGS

## ▶ PRODUCT ADVANTAGES



### ▶ Concentration on the essentials

The most economic type of gripping: This is how you reduce your production costs





### ▶ Individually machinable clamping jaws

You have never adjusted a gripper to your application this quickly and easily

### ▶ Direct drive

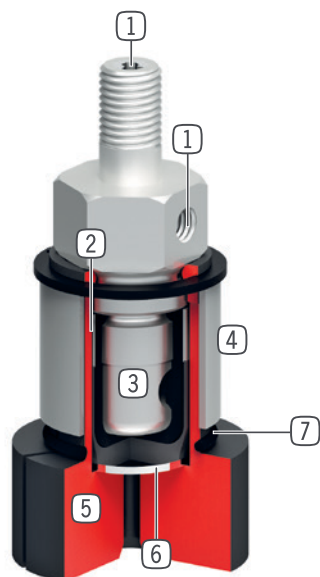
The control system with only one pneumatic line reduces installation effort and interference contours

## ▶ SERIES CHARACTERISTICS

| Installation size   | Version |   |
|---|---------|---|
| LGXX-XX   | -       | V |
|  Collet Chuck          | •       |   |
|  Extended collet chuck |         | • |
|  Maintenance free      | •       | • |
|  IP40                  | •       | • |



## ► BENEFITS IN DETAIL



- ① **Energy supply**
  - axial and radial possible
- ② **Protective membrane**
  - between collet chuck and function membrane
- ③ **Direct drive with membrane**
  - only one pneumatic line required
- ④ **Stroke limit**
  - prevents damage by overstretching with empty strokes
- ⑤ **Collet chuck**
  - for individual machining
- ⑥ **Steel protective cover**
  - protects the membrane against puncturing
- ⑦ **O-ring for backstroke**
  - gripper close movement after venting

## ► TECHNICAL DATA

| Installation size | Total stroke in Ø<br>[mm] | Gripping moment<br>[Nm] | Weight<br>[kg] | IP class |
|-------------------|---------------------------|-------------------------|----------------|----------|
| LG4-20            | 1.0                       | 0,5                     | 0,075 - 0,115  | IP40     |
| LG20-30           | 1.0                       | 2                       | 0,16 - 0,29    | IP40     |
| LG30-50           | 1.0                       | 3                       | 0,46           | IP40     |

## ► FURTHER INFORMATION IS AVAILABLE ONLINE



All information just a click away at: [www.zimmer-group.com](http://www.zimmer-group.com). Find data, illustrations, 3D models and operating instructions for your installation size using the order number for your desired product. Quick, clear and always up-to-date.

# INTERNAL GRIPPER

## INSTALLATION SIZE LG30-50

### ▶ PRODUCT SPECIFICATIONS



### ▶ INCLUDED IN DELIVERY



1 [piece]  
Collet Chuck  
**DST30500**

### ▶ RECOMMENDED ACCESSORIES



#### ENERGY SUPPLY



**GVM5**  
Straight Fittings - Quick Connect Style

| Order no.                                | Technical data |
|--|----------------|
|  | <b>LG30-50</b> |
| Total stroke in Ø [mm]                   | 1.0            |
| Gripping diameter min. [mm]              | 6.0            |
| Gripping moment in opening [Nm]          | 3.0            |
| Machining length of the collet max. [mm] | 11             |
| Closing time [s]                         | 0.1            |
| Opening time [s]                         | 0.1            |
| Operating pressure min. [bar]            | 4              |
| Operating pressure max. [bar]            | 6              |
| Nominal operating pressure [bar]         | 6              |
| Operating temperature min. [°C]          | 5              |
| Operating temperature max. [°C]          | +60            |
| Air volume per cycle [cm³]               | 5              |
| Protection to IEC 60529                  | IP40           |
| Weight [kg]                              | 0.47           |

