

# CLAMPING AND BRAKING ELEMENTS | PNEUMATIC SERIES LBPS

## ▶ PRODUCT ADVANTAGES



- ▶ **broad range of products**  
For all common profile rail guides
- ▶ **Energize to open (NC)**  
through spring-loaded energy storage
- ▶ **high durability**  
Up to 5 million static clamping cycles
- ▶ **Small and narrow design**  
By using U-form piston
- ▶ **Safety element**  
Safe braking in case of energy failure
- ▶ **Maximum flexibility**  
Additional air connection from the front
- ▶ **Simple status sensing**  
Querying the piston position with magnetic field sensor

## ▶ THE BEST PRODUCT FOR YOUR APPLICATION

### APPLICATION SCENARIOS

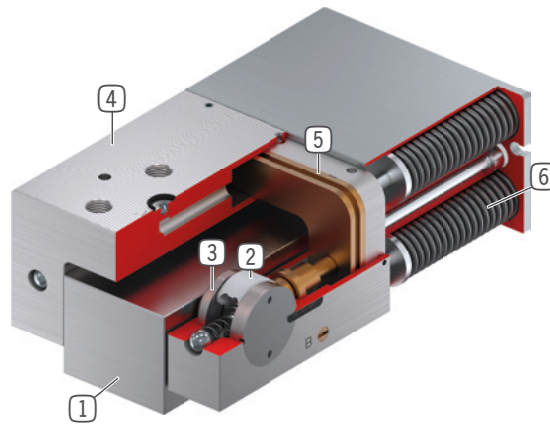
- ▶ **Clamping in case of pressure drop**
- ▶ **Braking linear motors**
- ▶ **Clamping without energy requirement**

### FURTHER INFORMATION

- ▶ **Spacer plate**  
In addition, a spacer plate might have to be ordered as height compensation, depending on the height of the rail carriage (dimension D).
- ▶ **Special variants on request, e.g.**  
With low opening pressure (3.0 bar)

## ► BENEFITS IN DETAIL

- 1 Profile rail guide**  
- Available for all common profile rail guides
- 2 Wedge-type gear**  
- Power transmission between the pistons and clamping jaws and brake shoes
- 3 Clamping jaws and brake shoes**  
- Pressed at the free surfaces of the profile rail guide
- 4 Narrow housing**
- 5 Pneumatic piston**  
- The piston moves the wedge-type gear longitudinally
- 6 Spring-loaded energy storage**  
- For non-pressurized closing of the clamping unit



## ► INFORMATION ON THE SERIES

### TECHNICAL DATA

Rail size	15-55 mm
Holding force	400-4500 N
Pressure min. / max.	5.5 / 6.5
Spring storage	existing
PLUS connection	No
B10d value	up to 5 million
Dynamic braking cycles	up to 500
Operation	pneumatic
Operating temperature	-10 ... +70 [°C]

# CLAMPING AND BRAKING ELEMENTS | PNEUMATIC SERIES LBPS

## ▶ PRODUCT ADVANTAGES



- ▶ **broad range of products**  
For all common profile rail guides
- ▶ **Energize to open (NC)**  
through spring-loaded energy storage
- ▶ **high durability**  
Up to 5 million static clamping cycles
- ▶ **Small and narrow design**  
By using U-form piston
- ▶ **Safety element**  
Safe braking in case of energy failure
- ▶ **Maximum flexibility**  
Additional air connection from above
- ▶ **Simple status sensing**  
Querying the piston position with magnetic field sensor

## ▶ THE BEST PRODUCT FOR YOUR APPLICATION

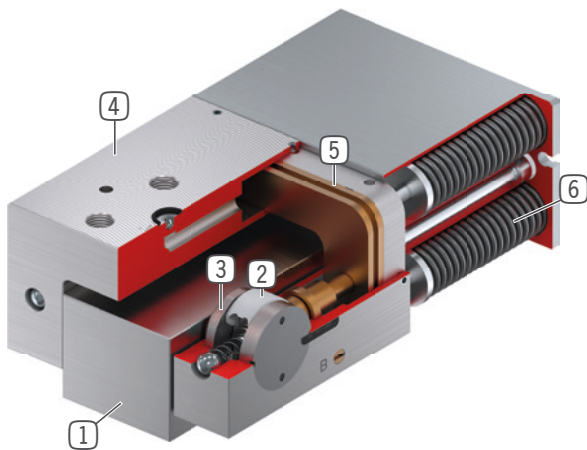
### APPLICATION SCENARIOS

- ▶ **Clamping in case of pressure drop**
- ▶ **Braking linear motors**
- ▶ **Clamping without energy requirement**

### FURTHER INFORMATION

- ▶ **Spacer plate**  
In addition, a spacer plate might have to be ordered as height compensation, depending on the height of the rail carriage (dimension D).
- ▶ **Special variants on request, e.g.**  
With low opening pressure (3.0 bar)

## ► BENEFITS IN DETAIL



- ① **Profile rail guide**
  - Available for all common profile rail guides
- ② **Wedge-type gear**
  - Power transmission between the pistons and clamping jaws and brake shoes
- ③ **Clamping jaws and brake shoes**
  - Pressed at the free surfaces of the profile rail guide
- ④ **Narrow housing**
- ⑤ **Pneumatic piston**
  - The piston moves the wedge-type gear longitudinally
- ⑥ **Spring-loaded energy storage**
  - For non-pressurized closing of the clamping unit

## ► INFORMATION ON THE SERIES

Series	► Technical data	
	LBPS	LBPS-LP
Rail size	15-55 mm	15-55 mm
Holding force	400-4500 N	300-1800 N
Pressure min. / max.	5.5 / 6.5	4 / 6.5
Spring storage	existing	existing
PLUS connection	No	No
B10d value	up to 5 million	up to 5 million
Dynamic braking cycles	up to 500	up to 500
Operation	pneumatic	pneumatic
Operating temperature	-10 ... +70 [°C]	-10 ... +70 [°C]