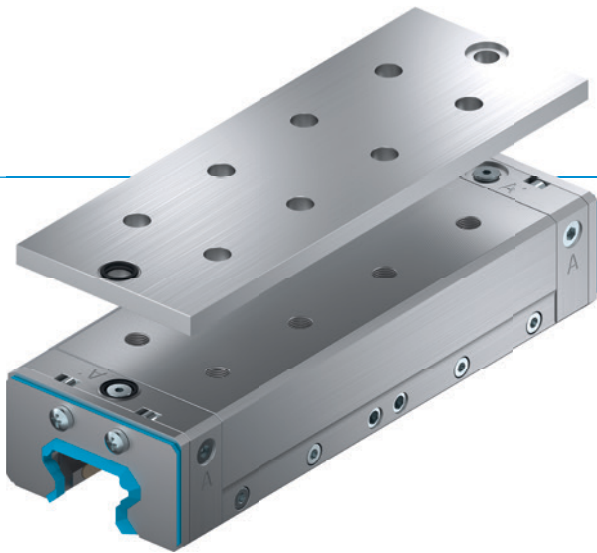


CLAMPING AND BRAKING ELEMENTS | HYDRAULIC SERIES LBHS

▶ PRODUCT ADVANTAGES



- ▶ **broad range of products**
For all common profile rail guides
- ▶ **Energize to open (NC)**
through residual stress
- ▶ **the power pack**
Up to 0.5 million static clamping cycles
- ▶ **Safety element**
Safe braking in case of energy failure
- ▶ **Maximum flexibility**
Additional hydraulic connection from above

▶ THE BEST PRODUCT FOR YOUR APPLICATION

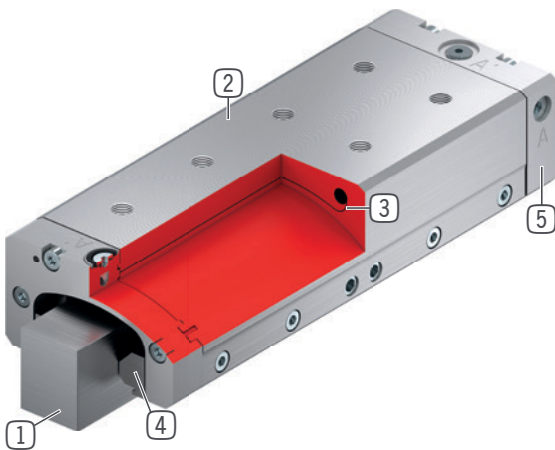
APPLICATION SCENARIOS

- ▶ **Precise positioning through maximum rigidity**
- ▶ **Clamping measurement applications**
- ▶ **Clamping and braking of heavy handling systems**
- ▶ **Braking in emergency OFF situations**
- ▶ **Clamping in case of pressure drop**

FURTHER INFORMATION

- ▶ **Spacer plate**
In addition, a spacer plate might have to be ordered as height compensation, depending on the height of the rail carriage (dimension D).

► BENEFITS IN DETAIL



- ① **Profile rail guide**
 - Available for all common profile rail guides
- ② **Housing - functional component**
 - Generating clamping force by clamping material
 - Narrow and low design
- ③ **Eroding contour**
 - Used for opening the element under pressure
- ④ **Clamping jaws and brake shoes**
 - Pressed at the free surfaces of the profile rail guide
- ⑤ **Sealing plates**
 - for double-sided hydraulic line connection
- ⑥ **Scraper**
 - Optionally available with "A" article ending

► INFORMATION ON THE SERIES

Series	► Technical data
Series	LBHS
Rail size	20-65 mm
Operating pressure min.	120 [bar]
Operating pressure max.	130 [bar]
Spring storage	existing
PLUS connection	No
B10d value	up to 500 000
Dynamic braking cycles	up to 500
Operation	hydraulic
Operating temperature	-10 ... +70 [°C]