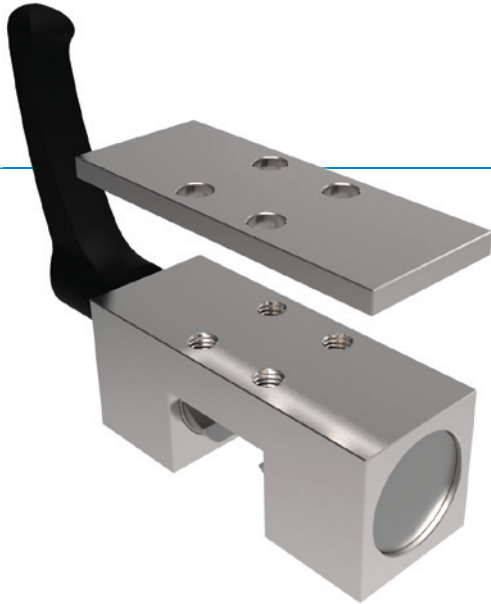


# CLAMPING ELEMENTS | MANUAL SERIES HK

## ▶ PRODUCT ADVANTAGES



- ▶ **broad range of products**  
For all common profile rail guides
- ▶ **Tool-free opening and closing (bi-stable)**  
By turning the clamping lever
- ▶ **Maintenance free**  
Up to 50,000 static clamping cycles

## ▶ THE BEST PRODUCT FOR YOUR APPLICATION

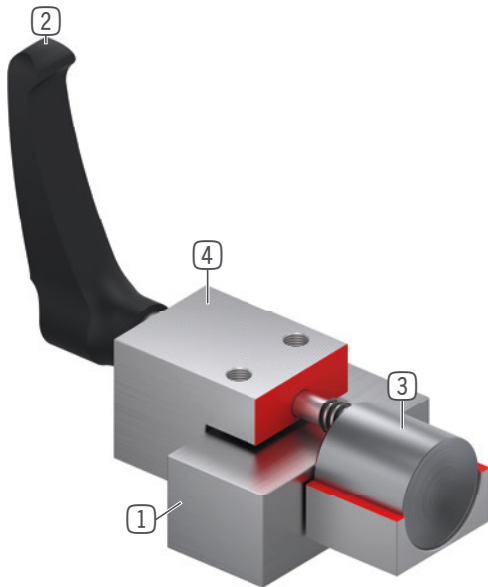
### APPLICATION SCENARIOS

- ▶ **Table traverses and carriages**
- ▶ **Adjustment of width and stops**
- ▶ **Positioning of optic instruments and measuring tables**

### FURTHER INFORMATION

- ▶ **Spacer plate**  
In addition, a spacer plate might have to be ordered as height compensation, depending on the height of the rail carriage (dimension D).
- ▶ **Special variants on request, e.g.**  
Operation using DIN 912 Allen screws  
Extended clamping lever  
made of stainless steel

## ► BENEFITS IN DETAIL



- ① **Profile rail guide**
  - Available for all common profile rail guides
- ② **Clamping lever made from plastic**
  - Freely adjustable (release by lifting)
- ③ **Clamping jaw**
  - The floating bearings guarantee symmetrical application of force
- ④ **Housing**

## ► INFORMATION ON THE SERIES

Series	► Technical data
	<b>HK</b>
Rail size	15-65 mm
Holding force	1200-2000 N
Fastening torque clamp lever	4-22 Nm
Spring storage	inexistent
PLUS connection	No
B10d value	up to 50 000
Dynamic braking cycles	not suitable
Operation	manual
Operating temperature	-10 ... +70 [°C]