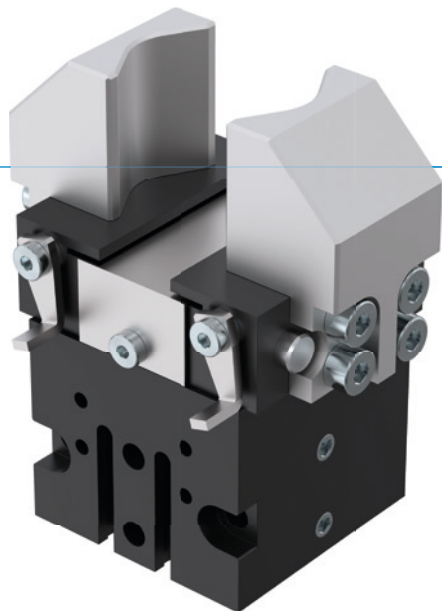


2-JAW PARALLEL GRIPPERS

SERIES GP

▶ PRODUCT ADVANTAGES



“The enduring”

▶ Proven technology

We have more than 20 years of proven reliability, which ensures uninterrupted production for you







▶ Very short cycle times

Low-friction circular guides enable very short cycle times and, therefore, high component output for your machine

▶ Failure-free continuous operation

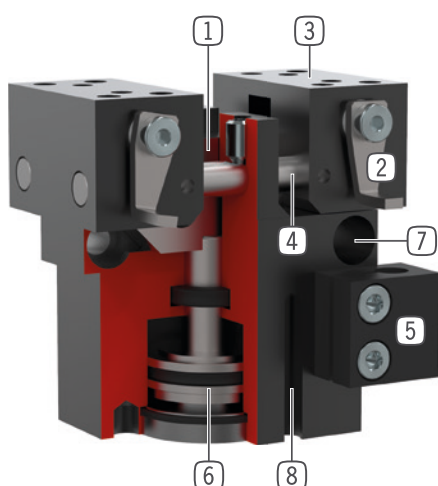
Our uncompromising “Made in Germany” quality guarantees up to 10 million maintenance-free cycles

▶ SERIES CHARACTERISTICS

| Installation size | Version | |
|---|---------|-------|
| GPXXX | -C/D | S-C/D |
|  Spring closing C | | • |
|  High-strength S | | • |
|  10 million maintenance-free cycles (max.) | • | • |
|  Inductive sensor | • | • |
|  Magnetic field sensor | • | • |
|  IP30 | • | • |



► BENEFITS IN DETAIL



- ① **Wedge hook mechanism**
 - synchronized the movement of the gripper jaws
 - high force transfer
- ② **Adjustable switch cam**
 - for position sensing
- ③ **Gripper jaw**
 - individual gripper finger mounting
- ④ **Roller slide**
 - for low wear movement sequence
- ⑤ **Mounting block**
 - mounting for inductive proximity switch
- ⑥ **Drive**
 - double-acting pneumatic cylinder
- ⑦ **Mounting and positioning**
 - mounting possible from several sides for versatile positioning
- ⑧ **Sensing slot**
 - mounting and positioning of magnetic field sensors

► TECHNICAL DATA

| Installation size | Stroke per jaw [mm] | Gripping force [N] | Weight [kg] | IP class |
|-------------------|---------------------|--------------------|-------------|----------|
| GP12 | 3 | 8,4 | 0.033 | IP30 |
| GP19 | 4 | 36 | 0.081 | IP30 |
| GP30 | 5 | 94 | 0.15 | IP30 |
| GP45 | 5 | 118 - 190 | 0.255 - 0.3 | IP30 |
| GP75 | 10 | 220 - 275 | 0.45 - 0.5 | IP30 |
| GP100 | 8 - 13 | 450 - 5250 | 1.3 | IP30 |

► FURTHER INFORMATION IS AVAILABLE ONLINE



All information just a click away at: www.zimmer-group.com. Find data, illustrations, 3D models and operating instructions for your installation size using the order number for your desired product. Quick, clear and always up-to-date.

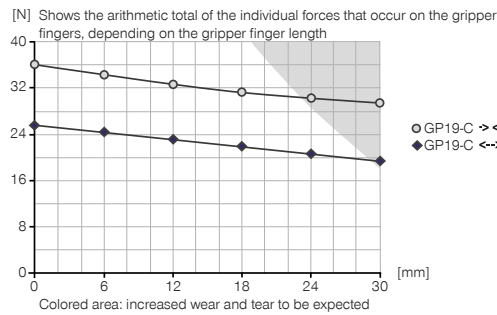
2-JAW PARALLEL GRIPPERS

INSTALLATION SIZE GP19

▶ PRODUCT SPECIFICATIONS

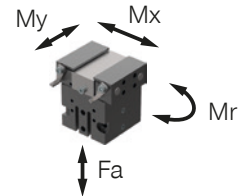


▶ Gripping force diagram



▶ Forces and moments

Displays static forces and moments that can also have an effect, besides the gripping force.



| | |
|---------|-----|
| Mr [Nm] | 0.8 |
| Mx [Nm] | 0.8 |
| My [Nm] | 0.8 |
| Fa [N] | 40 |

▶ RECOMMENDED ACCESSORIES



GRIPPING COMPONENTS



UB19
Universal jaw set aluminium



SENSORS



NJ3-E2SK
Inductive Proximity Switch Cable 0,3 m - Connector M8



MFS01-S-KHC-P1-PNP
Magnetic field sensor angled, cable 0.3 m - M8 connector



MFS02-S-KHC-P1-PNP
Magnetic field sensor straight, cable 0.3 m - M8 connector



MFS01-S-KHC-P2-PNP
2-point sensor angled, cable 0.3 m - M8 connector



MFS02-S-KHC-P2-PNP
2-point sensor straight, cable 0.3 m - M8 connector



MFS02-S-KHC-IL
Position sensor straight, cable 0.3 m - connector M8



ENERGY SUPPLY



GVM5
Straight Fittings - Quick Connect Style



WVM5
Angled Fittings - Quick Connect Style



DEV04
Quick Exhaust Valve



DSV1-8E
Pressure safety valve with quick exhaust



SENSORS



KB3
Mounting block



NJ3-E2
Inductive proximity switch - Cable 5 m



CONNECTIONS / OTHER



KAG500
Plug-in connector Straight Cable 5m - Socket M8 (female)



ZE12H7X4
Centering Disc

| Order no. | ▶ Technical data |
|---|------------------|
| | GP19-C |
| Stroke per jaw [mm] | 4 |
| Gripping force in closing [N] | 36 |
| Gripping force in opening [N] | 26 |
| Gripping force secured by spring min. [N] | |
| Closing time [s] | 0.02 |
| Opening time [s] | 0.02 |
| Repetition accuracy +/- [mm] | 0.05 |
| Operating pressure min. [bar] | 3 |
| Operating pressure max. [bar] | 8 |
| Nominal operating pressure [bar] | 6 |
| Operating temperature min. [°C] | +5 |
| Operating temperature max. [°C] | +80 |
| Air volume per cycle [cm³] | 1.0 |
| Protection to IEC 60529 | IP30 |
| Weight [kg] | 0.085 |

