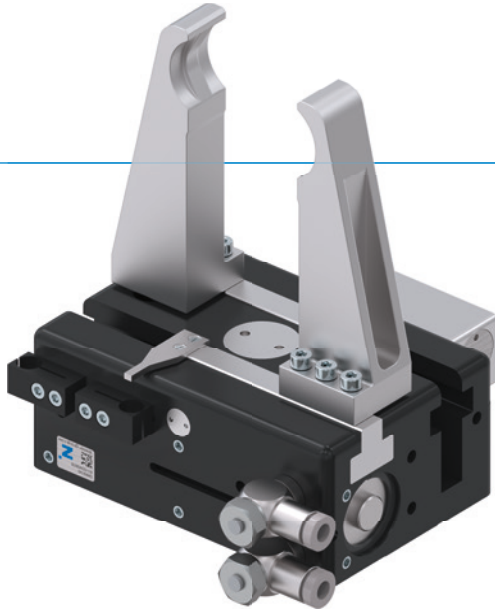


2-JAW PARALLEL GRIPPERS WITH LONG STROKE SERIES GHK6000

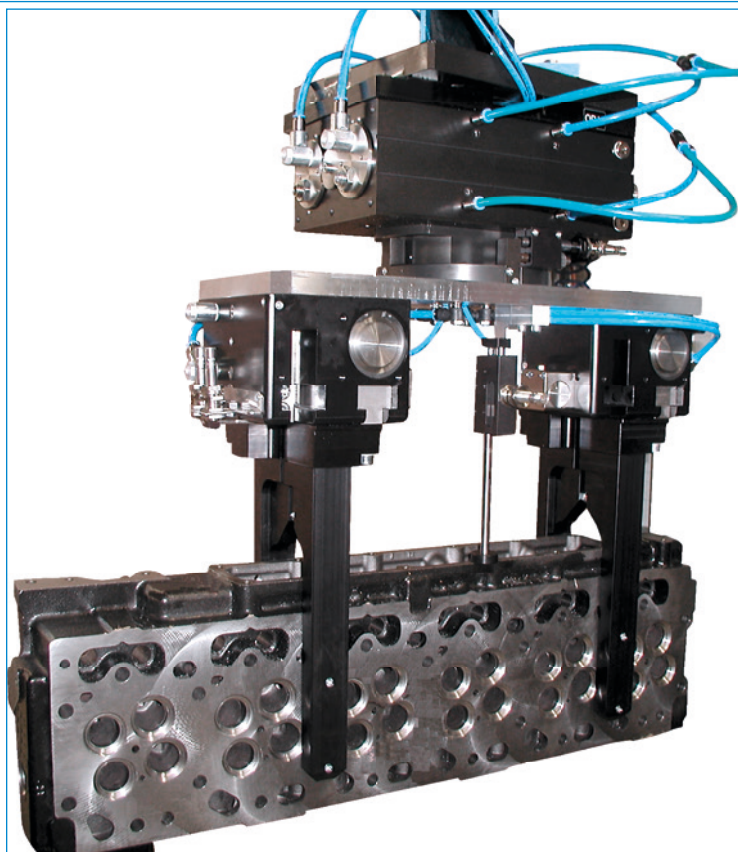
▶ PRODUCT ADVANTAGES



“The robust”

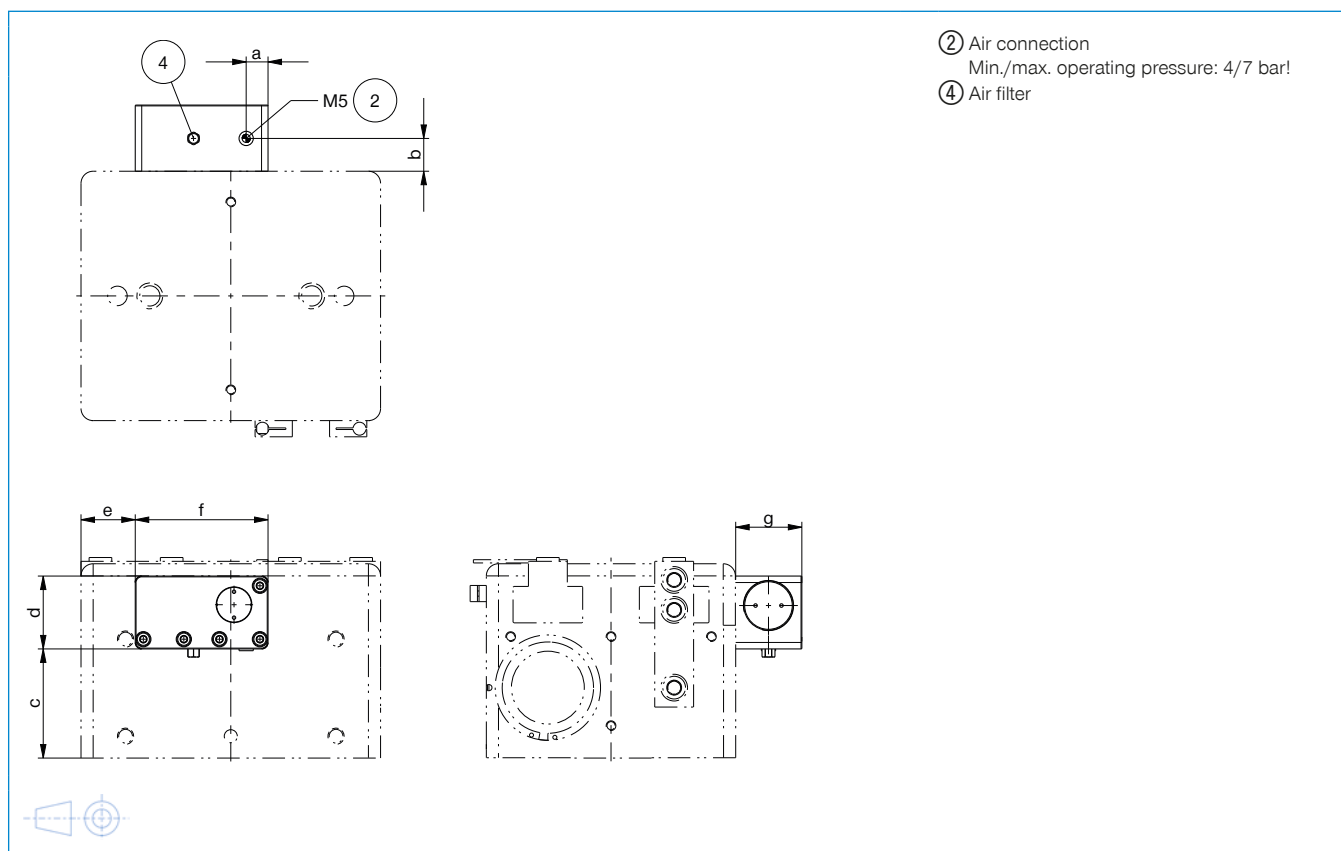
- ▶ Securing the workpiece in case of drop in pressure above clamping element on the condition of a positive gripper jaw design
- ▶ Dimensions based on GH6000 series standard gripper
- ▶ Long stroke, up to 200 mm per jaw
- ▶ Stable T-slot guide, guided completely along the entire length of the housing
- ▶ For gripper fingers with a length of up to 600 mm
- ▶ Compact design, through stacked cylinder and guide

▶ THE BEST PRODUCT FOR YOUR APPLICATION





▶ TECHNICAL DRAWINGS



▶ TECHNICAL DATA

Installation size	Retention force in case of drop in pressure	A	B	C	D	E	F	G
	[N]	[mm]	[mm]	[mm]	[mm]	[mm]	[mm]	[mm]
GHK6140	300	9.6	11.5	21.7	25	17.5	58	22
GHK6160	300	9.6	11.5	21.7	25	37.5	58	22
GHK6180	300	9.6	11.5	21.7	25	57.5	58	22
GHK6240	640	15	14	39.5	35	20	66	27
GHK6260	640	15	14	39.5	35	40	66	27
GHK6280	640	15	14	39.5	35	60	66	27
GHK62100	640	15	14	39.5	35	80	66	27
GHK62150	640	15	14	39.5	35	130	66	27
GHK6360	640	15	14	56	35	47.5	66	27
GHK63100	640	15	14	56	35	87.5	66	27
GHK63150	640	15	14	56	35	137.5	66	27
GHK6460	1050	13.5	20.5	67.4	45	33.5	82	41
GHK64100	1050	13.5	20.5	67.4	45	73.5	82	41
GHK64150	1050	13.5	20.5	67.4	45	123.5	82	41
GHK64200	1050	13.5	20.5	67.4	45	173.5	82	41

▶ FURTHER INFORMATION IS AVAILABLE ONLINE



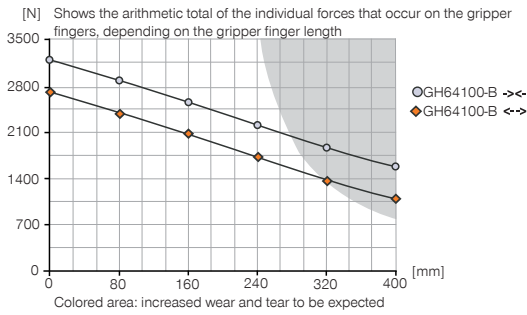
All information just a click away at: www.zimmer-group.com. Find data, illustrations, 3D models and operating instructions for your installation size using the order number for your desired product. Quick, clear and always up-to-date.

2-JAW PARALLEL GRIPPERS WITH LONG STROKE INSTALLATION SIZE GH64100

▶ PRODUCT SPECIFICATIONS

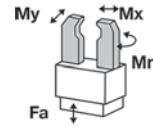


▶ Gripping force diagram



▶ Forces and moments

Displays static forces and moments that can also have an effect, besides the gripping force.



Mr [Nm]	300
Mx [Nm]	350
My [Nm]	250
Fa [N]	9000

▶ INCLUDED IN DELIVERY



2 [piece]
Mounting block
KB8-28



4 [piece]
Centering Disc
DST42000



2 [piece]
Flow Control Valves - with Swivel joint
DRV1-4X8

▶ YOU CAN FIND RECOMMENDED ACCESSORIES ON THE FOLLOWING PAGES

Order no.	► Technical data	
	GH64100-B	GHK64100
Stroke per jaw [mm]	100	100
Gripping force in closing [N]	3200	3200
Gripping force in opening [N]	2700	2700
Closing time [s]	0.7	0.7
Opening time [s]	0.7	0.7
Dead weight of mounted gripper finger max. [kg]	6	6
Length of the gripper fingers max. [mm]	400	400
Repetition accuracy +/- [mm]	0.05	0.05
Operating pressure min. [bar]	3	3
Operating pressure max. [bar]	8	8
Nominal operating pressure [bar]	6	6
Operating temperature min. [°C]	+5	+5
Operating temperature max. [°C]	+80	+80
Air volume per cycle [cm ³]	1185	1185
Protection to IEC 60529	IP40	IP40
Weight [kg]	14	15

