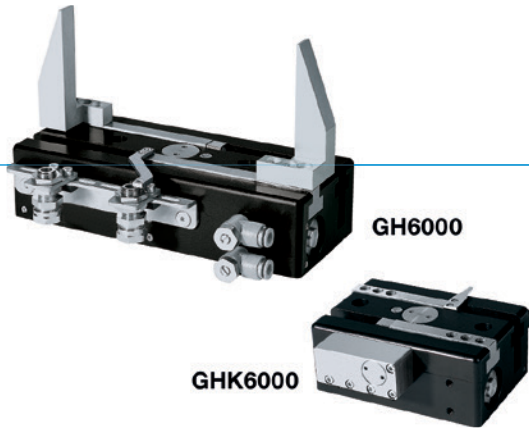


2-JAW PARALLEL GRIPPERS WITH LONG STROKE SERIES GH6000

▶ PRODUCT ADVANTAGES



“The robust”

- ▶ **Gripper jaws may be up to 25% longer in comparison to the benchmark**

The highest force and torque measurement enables flexible for maximum dynamics

- ▶ **Over 30% more powerful than the benchmark**






Optimisation of weight and force reduces your application costs since all components can have a smaller scale

- ▶ **Failure-free continuous operation**

Our uncompromising “Made in Germany” quality guarantees up to 10 million maintenance-free cycles

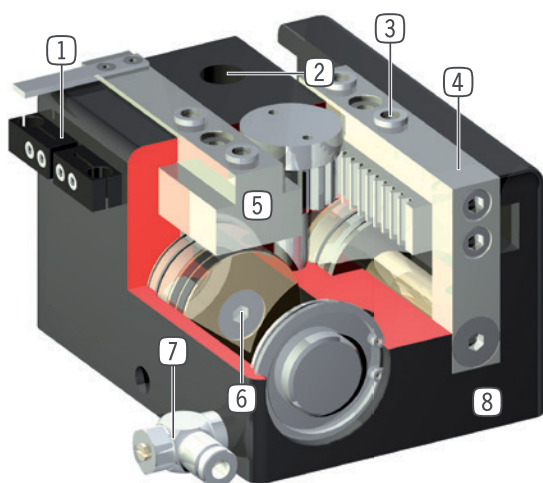
- ▶ **Securing the workpiece in case of drop in pressure above clamping element on the condition of a positive gripper jaw design (only for variant GHK)**

▶ SERIES CHARACTERISTICS

| | Installation size / Variant | |
|---|-----------------------------|---------|
| | GH60XX | GHK60XX |
|  Position maintenance by means of clamping element | | • |
|  10 million maintenance-free cycles (max.) | • | • |
|  Inductive sensor | • | • |
|  Magnetic field sensor | • | • |
|  IP40 | • | • |



► BENEFITS IN DETAIL



- ① **Mounting block**
 - mounting for inductive proximity switch
- ② **Mounting and positioning**
 - mounting possible from several sides for versatile positioning
- ③ **Removable centering sleeves**
 - quick and economical positioning of the gripper fingers
- ④ **Gripper jaw**
 - individual gripper finger mounting
- ⑤ **Precise long T-Slot guides**
 - high forces and moments capacity
- ⑥ **Drive**
 - two double-acting pneumatic cylinders
 - synchronized by gearwheel
- ⑦ **Energy supply**
 - possible from several sides
 - CAUTION: always operate long stroke gripper with supplied exhaust air flow control valve (speed regulation)
- ⑧ **Robust, lightweight housing**
 - Hard-coated aluminum alloy

► TECHNICAL DATA

| Installation size | Stroke per jaw [mm] | Gripping force [N] | Weight [kg] | IP class |
|-------------------|---------------------|--------------------|-------------|----------|
| GH6000 | 20 - 80 | 120 - 155 | 0,3 - 0,75 | IP40 |
| GH6100 | 40 - 80 | 370 - 530 | 1,5 - 2,2 | IP40 |
| GH6200 | 40 - 150 | 900 - 1400 | 3,3 - 7,5 | IP40 |
| GH6300 | 60 - 150 | 1520 - 2270 | 7 - 10,5 | IP40 |
| GH6400 | 60 - 200 | 2600 - 3400 | 10,4 - 22,7 | IP40 |

► FURTHER INFORMATION IS AVAILABLE ONLINE



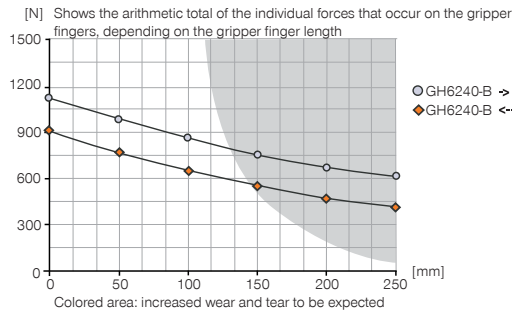
All information just a click away at: www.zimmer-group.com. Find data, illustrations, 3D models and operating instructions for your installation size using the order number for your desired product. Quick, clear and always up-to-date.

2-JAW PARALLEL GRIPPERS WITH LONG STROKE INSTALLATION SIZE GH6240

▶ PRODUCT SPECIFICATIONS

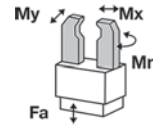


▶ Gripping force diagram



▶ Forces and moments

Displays static forces and moments that can also have an effect, besides the gripping force.



| | |
|---------|------|
| Mr [Nm] | 100 |
| Mx [Nm] | 125 |
| My [Nm] | 80 |
| Fa [N] | 3000 |

▶ INCLUDED IN DELIVERY



2 [piece]
Mounting block
KB8-28



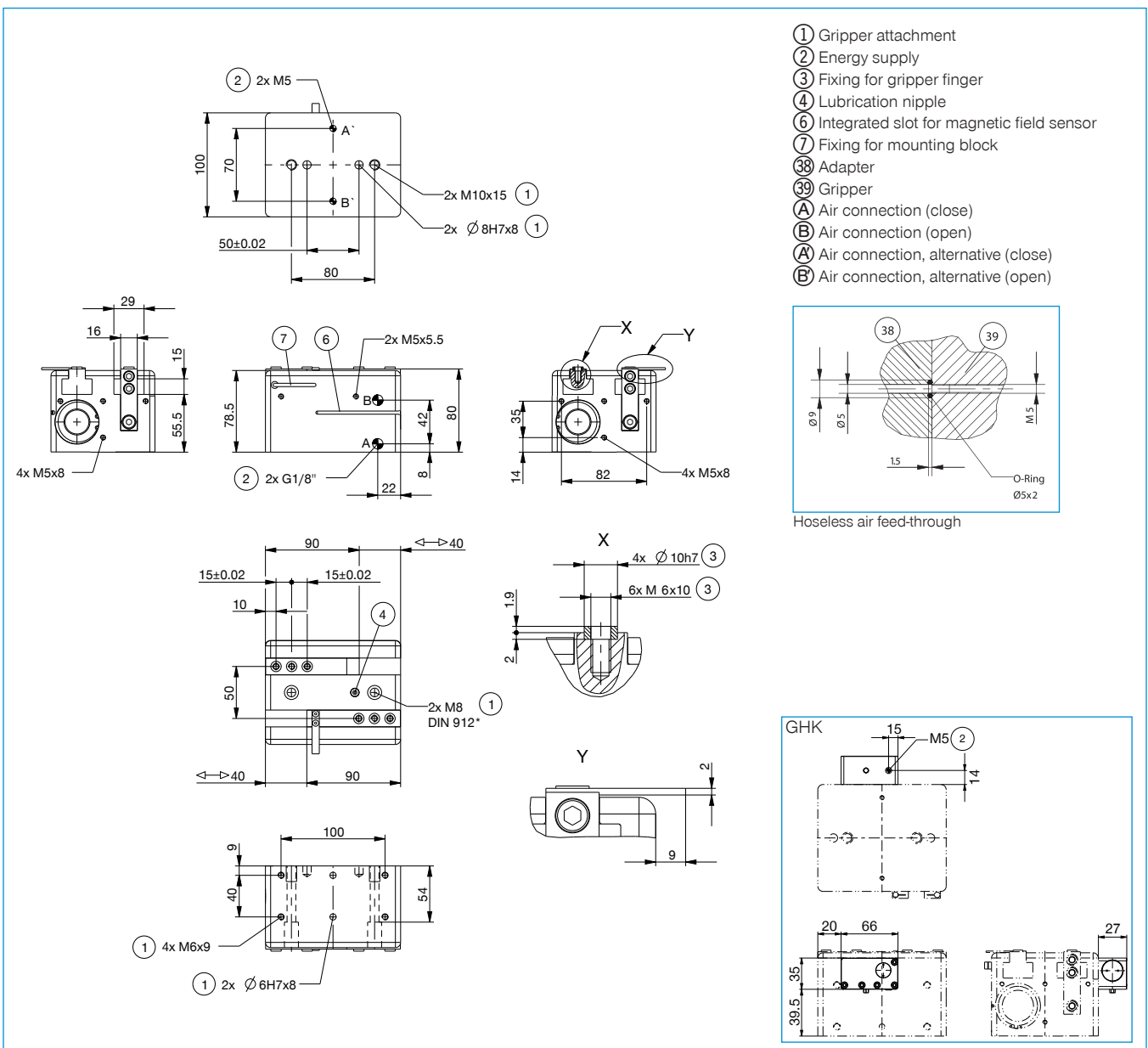
4 [piece]
Centering Disc
DST41000



2 [piece]
Flow Control Valves - with Swivel joint
DRV1-8X8

▶ YOU CAN FIND RECOMMENDED ACCESSORIES ON THE FOLLOWING PAGES

| Order no. | ► Technical data | |
|---|------------------|---------|
| | GH6240-B | GHK6240 |
| Stroke per jaw [mm] | 40 | 40 |
| Gripping force in closing [N] | 1120 | 1120 |
| Gripping force in opening [N] | 900 | 900 |
| Closing time [s] | 0.3 | 0.3 |
| Opening time [s] | 0.3 | 0.3 |
| Dead weight of mounted gripper finger max. [kg] | 2.5 | 2.5 |
| Length of the gripper fingers max. [mm] | 250 | 250 |
| Repetition accuracy +/- [mm] | 0.05 | 0.05 |
| Operating pressure min. [bar] | 3 | 3 |
| Operating pressure max. [bar] | 8 | 8 |
| Nominal operating pressure [bar] | 6 | 6 |
| Operating temperature min. [°C] | +5 | +5 |
| Operating temperature max. [°C] | +80 | +80 |
| Air volume per cycle [cm ³] | 183 | 183 |
| Protection to IEC 60529 | IP40 | IP40 |
| Weight [kg] | 3.3 | 3.8 |



2-JAW PARALLEL GRIPPERS WITH LONG STROKE SERIES GH6000 - ACCESSORIES

▶ ACCESORIES



▶ RECOMMENDED ACCESSORIES GH6000

| Pos. | Order no. | Accessories |
|------|-----------------|--|
| ① | UB5004AL | * Universal jaw aluminium |
| ① | UB5004ST | * Universal jaw steel |
| ② | WB5004L | * Changeable jaw, loose-part-set |
| ③ | WB5004F | * Changeable jaw, fix-part |
| ④ | EB5004ST | * Steel adjustment jaw |
| ④ | EB5004AL | * Aluminum adjustment jaw |
| ⑤ | APGH6000 | Adapter plate |
| ⑥ | UB6000-B | Universal jaw set aluminium |
| ⑦ | DSV1-8E | Pressure safety valve with quick exhaust |
| ⑧ | DSV1-8 | Pressure safety valve |

*in conjunction with pos. ⑤

| Pos. | Order no. | Accessories |
|------|---------------------------|--|
| ⑨ | NJ6.5-E2S | ** Inductive proximity switch - Connector M8 |
| ⑩ | NJ6.5-E2-01 | ** Inductive proximity switch - Cable 5 m |
| ⑪ | MFS01-S-KHC-P1-PNP | Magnetic field sensor angled, cable 0.3 m - M8 connector |
| ⑫ | MFS01-K-KHC-P1-PNP | Magnetic field sensor angled, cable 5 m |
| ⑬ | MFS02-S-KHC-P1-PNP | Magnetic field sensor straight, cable 0.3 m - M8 connector |
| ⑭ | MFS02-K-KHC-P1-PNP | Magnetic field sensor straight, cable 5 m |
| ⑮ | KAG500 | Plug-in connector Straight Cable 5m - Socket M8 (female) |
| ⑯ | KAW500 | Plug-in connector Angled Cable 5m - Socket M8 (female) |
| ⑰ | S8-G-3 | Plug-in connector customizable Straight - Connector M8 |
| ⑱ | S12-G-3 | Plug-in connector customizable Straight - Connector M12 |

** not with GH6020

▶ RECOMMENDED ACCESSORIES GH6100

| Pos. | Order no. | Accessories |
|------|-----------------|--|
| ① | UB5006AL | * Universal jaw aluminium |
| ① | UB5006ST | * Universal jaw steel |
| ② | WB5006L | * Changeable jaw, loose-part-set |
| ③ | WB5006F | * Changeable jaw, fix-part |
| ④ | EB5006ST | * Steel adjustment jaw |
| ④ | EB5006AL | * Aluminum adjustment jaw |
| ⑤ | APGH6100 | Adapter plate |
| ⑥ | UB6100-B | Universal jaw set aluminium |
| ⑦ | DSV1-8E | Pressure safety valve with quick exhaust |
| ⑧ | DSV1-8 | Pressure safety valve |

*in conjunction with pos. ⑤

| Pos. | Order no. | Accessories |
|------|---------------------------|--|
| ⑨ | NJ8-E2S | Inductive proximity switch - Connector M8 |
| ⑩ | NJ8-E2 | Inductive proximity switch - Cable 5 m |
| ⑪ | MFS01-S-KHC-P1-PNP | Magnetic field sensor angled, cable 0.3 m - M8 connector |
| ⑫ | MFS01-K-KHC-P1-PNP | Magnetic field sensor angled, cable 5 m |
| ⑬ | MFS02-S-KHC-P1-PNP | Magnetic field sensor straight, cable 0.3 m - M8 connector |
| ⑭ | MFS02-K-KHC-P1-PNP | Magnetic field sensor straight, cable 5 m |
| ⑮ | KAG500 | Plug-in connector Straight Cable 5m - Socket M8 (female) |
| ⑯ | KAW500 | Plug-in connector Angled Cable 5m - Socket M8 (female) |
| ⑰ | S8-G-3 | Plug-in connector customizable Straight - Connector M8 |
| ⑱ | S12-G-3 | Plug-in connector customizable Straight - Connector M12 |

▶ RECOMMENDED ACCESSORIES GH6200

| Pos. | Order no. | Accessories |
|------|-----------------|--|
| ① | UB5008AL | * Universal jaw aluminium |
| ① | UB5008ST | * Universal jaw steel |
| ② | WB5008L | * Changeable jaw, loose-part-set |
| ③ | WB5008F | * Changeable jaw, fix-part |
| ④ | EB5008ST | * Steel adjustment jaw |
| ④ | EB5008AL | * Aluminum adjustment jaw |
| ⑤ | APGH6200 | Adapter plate |
| ⑥ | UB6200-B | Universal jaw set aluminium |
| ⑦ | DSV1-8E | Pressure safety valve with quick exhaust |
| ⑧ | DSV1-8 | Pressure safety valve |

*in conjunction with pos. ⑤

| Pos. | Order no. | Accessories |
|------|---------------------------|--|
| ⑨ | NJ8-E2S | Inductive proximity switch - Connector M8 |
| ⑩ | NJ8-E2 | Inductive proximity switch - Cable 5 m |
| ⑪ | MFS01-S-KHC-P1-PNP | Magnetic field sensor angled, cable 0.3 m - M8 connector |
| ⑫ | MFS01-K-KHC-P1-PNP | Magnetic field sensor angled, cable 5 m |
| ⑬ | MFS02-S-KHC-P1-PNP | Magnetic field sensor straight, cable 0.3 m - M8 connector |
| ⑭ | MFS02-K-KHC-P1-PNP | Magnetic field sensor straight, cable 5 m |
| ⑮ | KAG500 | Plug-in connector Straight Cable 5m - Socket M8 (female) |
| ⑯ | KAW500 | Plug-in connector Angled Cable 5m - Socket M8 (female) |
| ⑰ | S8-G-3 | Plug-in connector customizable Straight - Connector M8 |
| ⑱ | S12-G-3 | Plug-in connector customizable Straight - Connector M12 |

▶ RECOMMENDED ACCESSORIES GH6300

| Pos. | Order no. | Accessories |
|------|-----------------|---|
| ① | UB5010ST | * Universal jaw steel |
| ① | UB5010AL | * Universal jaw aluminium |
| ② | WB5010L | * Changeable jaw, loose-part-set |
| ③ | WB5010F | * Changeable jaw, fix-part |
| ④ | EB5010ST | * Steel adjustment jaw |
| ④ | EB5010AL | * Aluminum adjustment jaw |
| ⑤ | APGH6300 | Adapter plate |
| ⑦ | DSV1-8E | Pressure safety valve with quick exhaust |
| ⑧ | DSV1-8 | Pressure safety valve |
| ⑨ | NJ8-E2S | Inductive proximity switch - Connector M8 |

*in conjunction with pos. ⑤

| Pos. | Order no. | Accessories |
|------|---------------------------|--|
| ⑩ | NJ8-E2 | Inductive proximity switch - Cable 5 m |
| ⑪ | MFS01-S-KHC-P1-PNP | Magnetic field sensor angled, cable 0.3 m - M8 connector |
| ⑫ | MFS01-K-KHC-P1-PNP | Magnetic field sensor angled, cable 5 m |
| ⑬ | MFS02-S-KHC-P1-PNP | Magnetic field sensor straight, cable 0.3 m - M8 connector |
| ⑭ | MFS02-K-KHC-P1-PNP | Magnetic field sensor straight, cable 5 m |
| ⑮ | KAG500 | Plug-in connector Straight Cable 5m - Socket M8 (female) |
| ⑯ | KAW500 | Plug-in connector Angled Cable 5m - Socket M8 (female) |
| ⑰ | S8-G-3 | Plug-in connector customizable Straight - Connector M8 |
| ⑱ | S12-G-3 | Plug-in connector customizable Straight - Connector M12 |

▶ RECOMMENDED ACCESSORIES GH6400

| Pos. | Order no. | Accessories |
|------|-----------------|---|
| ① | UB5016ST | * Universal jaw steel |
| ① | UB5016AL | * Universal jaw aluminium |
| ② | WB5016L | * Changeable jaw, loose-part-set |
| ③ | WB5016F | * Changeable jaw, fix-part |
| ④ | EB5016ST | * Steel adjustment jaw |
| ④ | EB5016AL | * Aluminum adjustment jaw |
| ⑤ | APGH6400 | Adapter plate |
| ⑦ | DSV1-8E | Pressure safety valve with quick exhaust |
| ⑧ | DSV1-8 | Pressure safety valve |
| ⑨ | NJ8-E2S | Inductive proximity switch - Connector M8 |

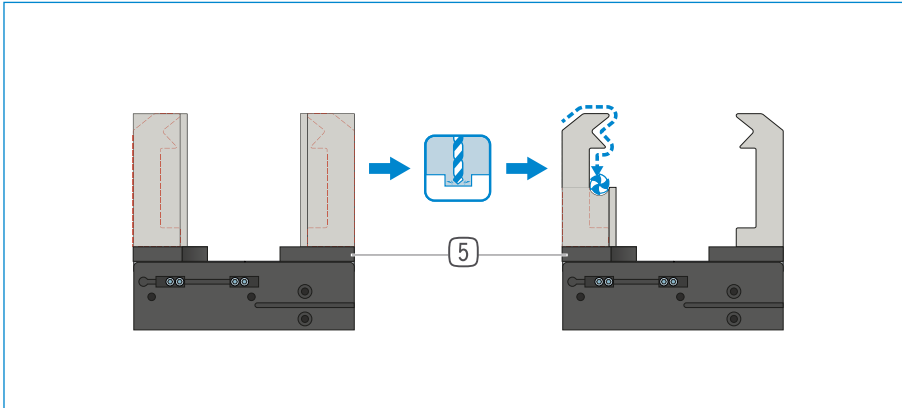
*in conjunction with pos. ⑤

| Pos. | Order no. | Accessories |
|------|---------------------------|--|
| ⑩ | NJ8-E2 | Inductive proximity switch - Cable 5 m |
| ⑪ | MFS01-S-KHC-P1-PNP | Magnetic field sensor angled, cable 0.3 m - M8 connector |
| ⑫ | MFS01-K-KHC-P1-PNP | Magnetic field sensor angled, cable 5 m |
| ⑬ | MFS02-S-KHC-P1-PNP | Magnetic field sensor straight, cable 0.3 m - M8 connector |
| ⑭ | MFS02-K-KHC-P1-PNP | Magnetic field sensor straight, cable 5 m |
| ⑮ | KAG500 | Plug-in connector Straight Cable 5m - Socket M8 (female) |
| ⑯ | KAW500 | Plug-in connector Angled Cable 5m - Socket M8 (female) |
| ⑰ | S8-G-3 | Plug-in connector customizable Straight - Connector M8 |
| ⑱ | S12-G-3 | Plug-in connector customizable Straight - Connector M12 |

2-JAW PARALLEL GRIPPERS WITH LONG STROKE SERIES GH6000 FUNCTIONAL DESCRIPTION



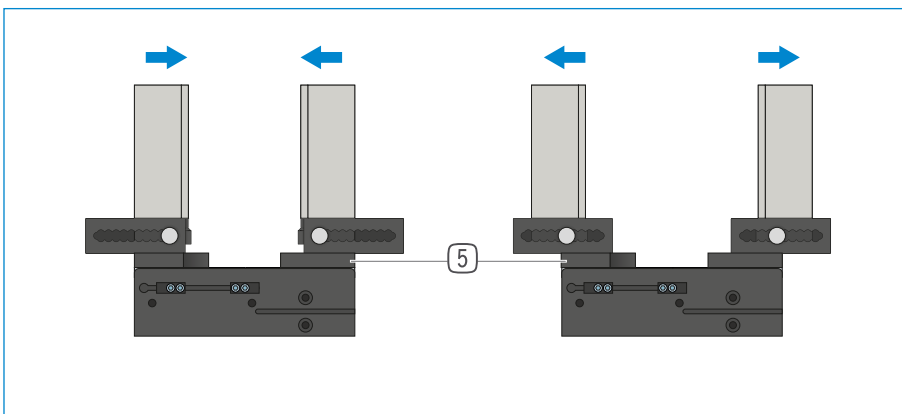
GRIPPING COMPONENTS



Universal jaws – UB5000

Can be used immediately or for individual reprocessing

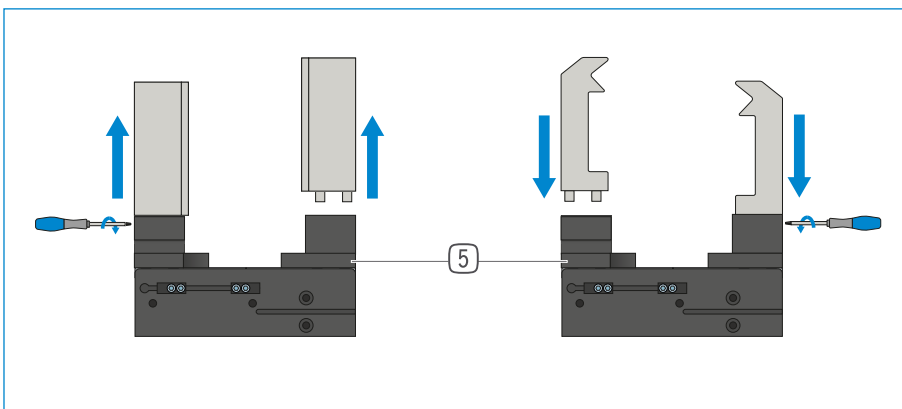
The gripper blanks are available in aluminum (AL) and steel (ST) versions and are installed directly on the gripper using the screws in the scope of delivery. The fits for the centering sleeves are already in place for this purpose. One universal jaw is required for each gripper jaw.



Adjustment jaws – EB5000

For tool-free adaptation of the gripper range

By manually activating the locking mechanism, which is pre-tensioned by a spring, the adjustment jaw can be moved within a grid of detent notches that has a number scale. Depending on the forces and torques that apply, the adjustment jaws are available in aluminum (AL) and steel (ST) versions. One adjustment jaw is required for each gripper jaw.



Interchangeable jaws – WB5000

Enable fast change of individual gripper fingers

For each gripper jaw, a fixed part and at least one loose part set is needed, depending on the number of gripper fingers to be changed. Manual locking via the Torx wrench included in the scope of delivery of the fixed part can take place from two sides.



THE GRIPPING COMPONENTS CAN BE COMBINED!

The gripping components listed above can be combined with each other. For connection to the gripper, the adapter plate 5, which is included in the recommended accessories for the gripper, is required.



GRIPPING COMPONENTS



Universal jaws – UB6000-B

Can be used immediately or for individual reprocessing

The gripper blanks are available in an aluminum (AL) version and are installed directly on the gripper using the screws in the scope of delivery. The fits for the centering sleeves are already in place for this purpose. One universal jaw set is required for each gripper.



ENERGY SUPPLY



Pressure safety valve – DSV

Ensures safe retention of force and position if the system pressure drops

The integrated double check valve, which can be unlocked, retains the system pressure of the gripper in case of EMERGENCY STOP. To ensure the function, the valve must be installed as close to the gripper's air connection as possible. In variant E, two pushbuttons are installed that allow for controlled bleeding of the gripper.

2-JAW PARALLEL GRIPPERS WITH LONG STROKE SERIES GH6000 FUNCTIONAL DESCRIPTION



SENSORS



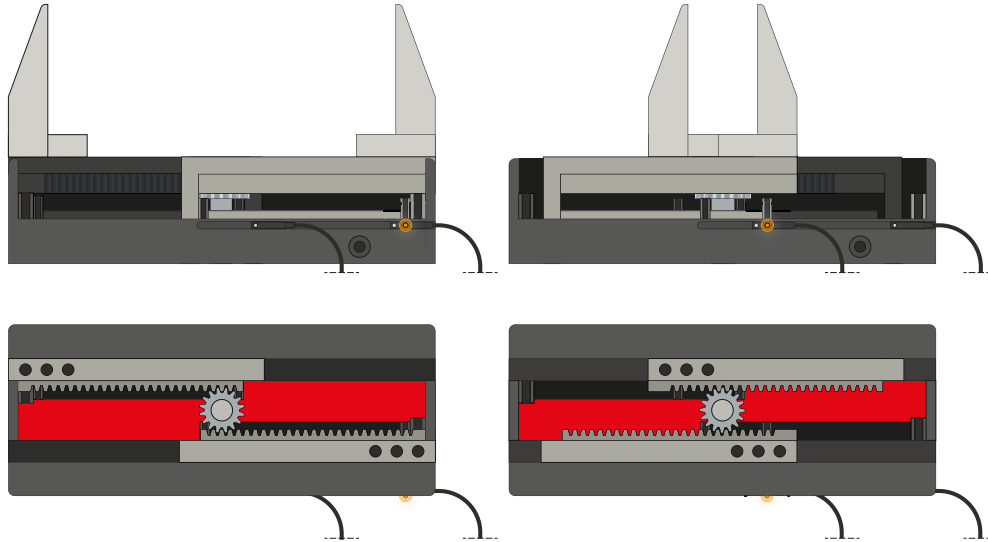
Inductive sensors – NJ

The mounting block is aligned to the cam switch, and the sensor is guided into the mounting block until the required switching distance to the cam switch is reached. Fine adjustment can be made by moving the mounting block again. The sensors are available in versions with 5 m cables with exposed leads and 0,3 m cable with connector, as well as with direct plug orientation.



SENSORS

MFS02



MFS01



1-point magnetic field sensors – MFS

For non-contact sensing of the piston position

These sensors are installed in the C-groove of the gripper and detect the magnet attached to the piston of the gripper. To ensure use in a wide variety of space conditions, the sensors are available in two variants. While the horizontal MFS02, with straight cable outlet, disappears into the C-groove of the gripper almost completely, the vertical MFS01 is taller, but has a cable outlet that is offset at an angle of 90°. The variants are available in versions with 5 m cables with exposed leads and 0,3 m cable with connector.

2-JAW PARALLEL GRIPPERS WITH LONG STROKE SERIES GH6000 FUNCTIONAL DESCRIPTION



CONNECTIONS / OTHER



Centering sleeves

For defined position measurement of the gripper fingers

The centering sleeves are inserted into the fits of the gripper jaws to define the position of the gripper fingers. The centering sleeves are comparable to a pin connection.

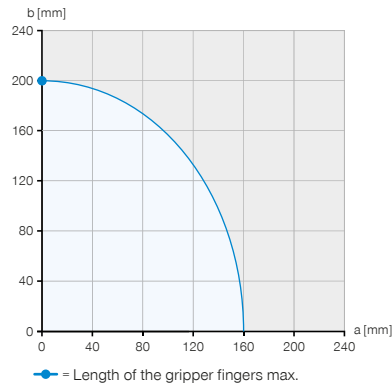
2-JAW PARALLEL GRIPPERS WITH LONG STROKE SERIES GH6000 GRIPPER FINGER LENGTH



MAXIMUM GRIPPER FINGER LENGTH



The examples show the maximum horizontal (a) and vertical (b) gripper finger length for a GH6140-B, illustrated by the blue area. The approach is identical for all other grippers of this series. The projection (a) is determined by multiplying the max. length of the gripper fingers (b) by 0.8. For the max. length of the gripper fingers, refer to the data sheet of the respective gripper.

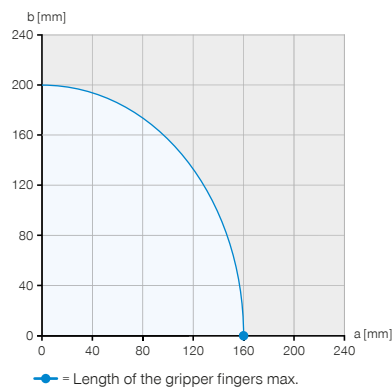
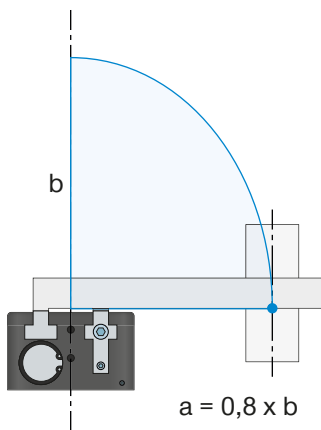


Example 1

Vertical force application point

a = 0 mm

b = 200 mm

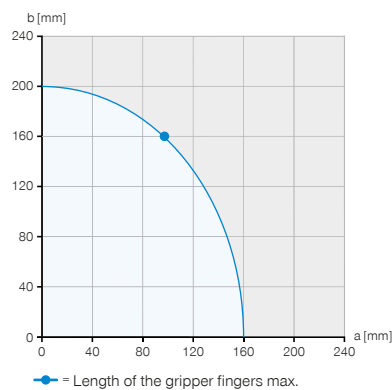
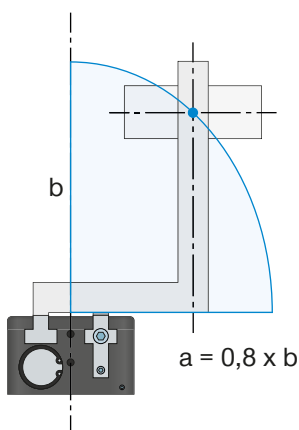


Example 2

Horizontal force application point

a = 160 mm

b = 0 mm



Example 3

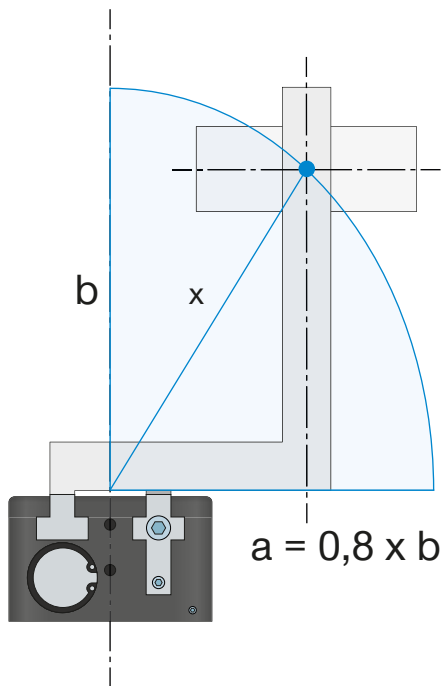
Maximum permissible projection

a = 96 mm

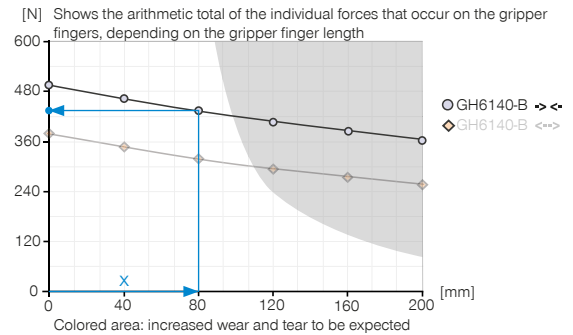
b = 160 mm



GRIPPING FORCE AS A FUNCTION OF GRIPPER FINGER LENGTH



► Gripping force diagram



Example 4

Resulting gripper finger length for determining the gripping force

$a = 55 \text{ mm}$

$b = 58 \text{ mm}$

$$x = \sqrt{55^2 + 58^2} = 80 \Rightarrow 435 \text{ N}$$



The specified maximum gripper jaw length in the gripper technical data refers to a vertical (b) alignment of the gripper jaws. With a horizontal (a) overhang, the maximum gripper jaw length is reduced accordingly. The table shows the maximum gripper jaw lengths of the individual sizes.

If the required gripper jaw length lies within the tinted area of the gripping force diagram, increased wear must be expected - possibly reduce pressure.

► TECHNICAL DATA

| Installation size | Dead weight of mounted gripper finger max. [kg] | Length of the gripper fingers max. vertical (b) [mm] | Length of the gripper fingers max. horizontal (a) [mm] |
|-------------------|---|--|--|
| GH6000 | 0.3 | 150 | 120 |
| GH6100 | 1 | 200 | 160 |
| GH6200 | 2.5 | 250 | 200 |
| GH6300 | 3.5 | 300 | 240 |
| GH6400 | 6 | 400 | 320 |

2-JAW PARALLEL GRIPPERS WITH LONG STROKE SERIES GH6000 GRIPPER FINGER WEIGHT



DEAD WEIGHT OF MOUNTED GRIPPER FINGER

The 6000 gripper series is equipped with a T-slot guide. For the gripper finger design, we take two different cases into account.

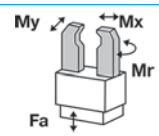
1. Static

The workpiece is gripped or gripper without workpiece and the opening or closing stroke of the gripper is not carried out. This is where the schematic diagram of the forces and torques included in the data sheet becomes important.

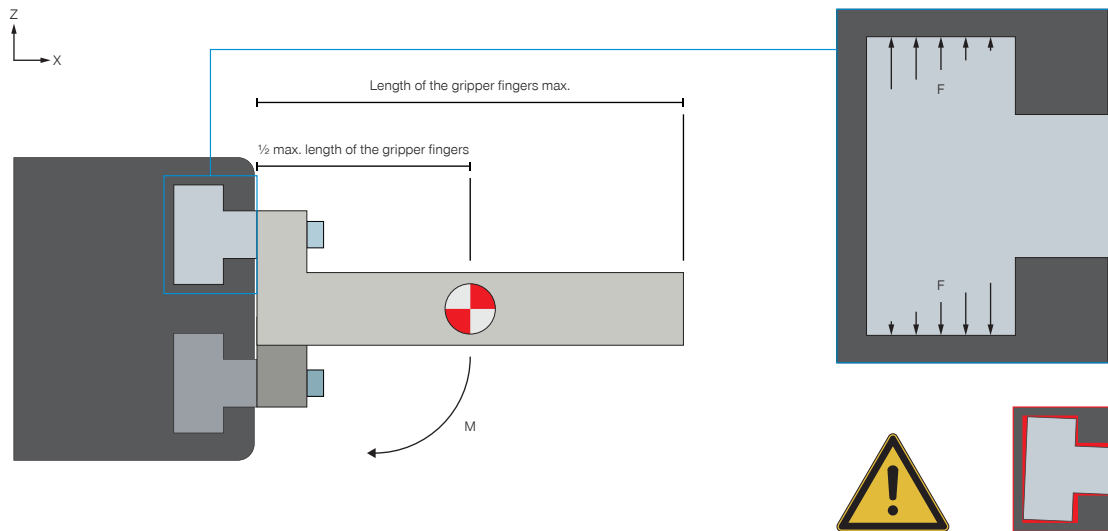
2. Load on the guide when opening and closing the gripper

In the gripping direction, M_x , high torques can be transferred by the long T-slot guides. The shorter guide ratio in the M_y direction results in limitations with respect to the gripper finger lengths and their weights. The effect of the resulting torque is that the gripper jaw gets twisted in the guide when it is overloaded and runs along the edge. In the guides, increased wear is to be expected as a result of this line load. This may also lead to chatter during the movement and, in extreme cases, to the gripper getting jammed. As a countermeasure, a maximum gripper finger weight and length have been recorded in the data sheet. The maximum permitted torque that is allowed to act upon the guide when opening and closing the gripper is calculated using the specified maximum gripper finger length and the maximum gripper finger weight.

Example



| | |
|------------|------|
| M_r [Nm] | 70 |
| M_x [Nm] | 100 |
| M_y [Nm] | 60 |
| F_a [N] | 1500 |



$$M_{max} = \frac{1}{2} \text{ max. length of the gripper fingers} * \text{ max. dead weight, mounted gripper finger} * g$$

Horizontal alignment

To calculate the torque, the center of force is placed at the halfway point of the maximum gripper finger length and multiplied by the maximum gripper finger weight.



DEAD WEIGHT OF MOUNTED GRIPPER FINGER



Vertical alignment

If the gripper fingers are aligned vertically during the gripping process, the gripper finger weight is negligible. The maximum permitted torques are typically not reached in this gripping situation. In this case, an overload can only be caused by designs in which the gripper fingers jut out a great deal.