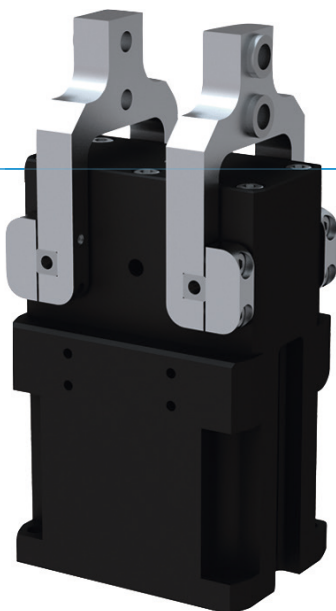


2-JAW RADIAL GRIPPER

SERIES GG4000

▶ PRODUCT ADVANTAGES



“The sealed”

▶ Suitable for use under extreme conditions

The sealed rotation axis guarantees process reliability even under the harshest conditions








▶ Smooth stroke configuration

You can adjust the 180° opening angle to be unique to your application using an adjusting screw

▶ Failure-free continuous operation

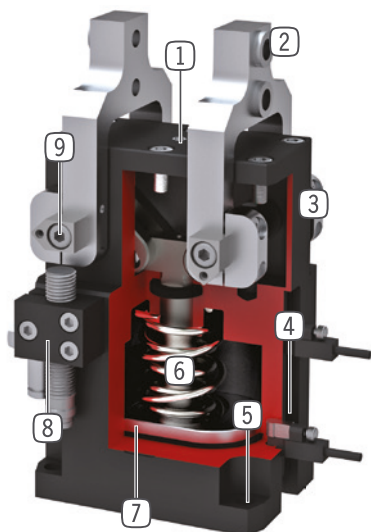
Our uncompromising “Made in Germany” quality guarantees up to 10 million maintenance-free cycles

▶ SERIES CHARACTERISTICS

Installation size	Version	
GG40XX	NC	SC
 Spring closing C	●	●
 High-strength S		●
 10 million maintenance-free cycles (max.)	●	●
 Inductive sensor	●	●
 Magnetic field sensor	●	●
 Purged air	●	●
 IP 64	●	●



► BENEFITS IN DETAIL



- ① **Stroke adjustment screw**
 - Infinitely adjustable opening stroke
- ② **Removable centering sleeves**
 - individual gripper finger mounting
- ③ **Robust, lightweight housing**
 - Hard-coated aluminum alloy
- ④ **Sensing slot**
 - mounting and positioning of magnetic field sensors
- ⑤ **Mounting and positioning**
 - mounting possible from several sides for versatile positioning
- ⑥ **Integrated gripping force safety device**
 - spring integrated into cylinder as energy storage
- ⑦ **Position sensing**
 - permanent magnet for direct monitoring of piston movement
- ⑧ **Mounting block**
 - mounting for inductive proximity switch
- ⑨ **Sealed rotation point**
 - for use under extreme conditions

► TECHNICAL DATA

Installation size	Stroke per jaw (+/-)	Gripping force	Weight	IP class
	[°]	[N]	[kg]	
GG4032	20 - 90	430 - 460	0,25	IP64
GG4040	20 - 90	700 - 800	0,5	IP64
GG4049	20 - 90	1000 - 1150	0,85	IP64
GG4058	20 - 90	1650 - 1900	1,4	IP64
GG4072	20 - 90	1950 - 2700	2,45	IP64
GG4084	20 - 90	3500 - 4000	4,5	IP64

► FURTHER INFORMATION IS AVAILABLE ONLINE



All information just a click away at: www.zimmer-group.com. Find data, illustrations, 3D models and operating instructions for your installation size using the order number for your desired product. Quick, clear and always up-to-date.

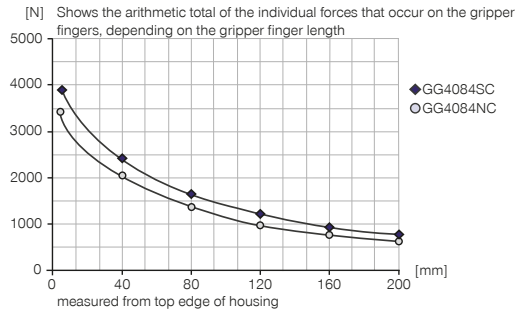
2-JAW RADIAL GRIPPER

INSTALLATION SIZE GG4084

▶ PRODUCT SPECIFICATIONS

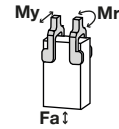


▶ Gripping force diagram



▶ Forces and moments

Displays static forces and moments that can also have an effect, besides the gripping force.



Mr [Nm]	60
My [Nm]	60
Fa [N]	1800

▶ INCLUDED IN DELIVERY

	1 [piece] Centering Disc DST43000		1 [piece] Stroke adjustment screw HES0019
	2 [piece] Flow Control Valves - with Swivel joint DRV1-8X8		2 [piece] Flow Control Valves - with Swivel joint CPNEU00876

▶ RECOMMENDED ACCESSORIES

ENERGY SUPPLY

	GV1-8X8 Straight Fittings - Quick Connect Style
	DSV1-8 Pressure safety valve
	DSV1-8E Pressure safety valve with quick exhaust

SENSORS

	MFS02-S-KHC-P1-PNP Magnetic field sensor straight, cable 0.3 m - M8 connector	
	MFS01-S-KHC-P2-PNP 2-point sensor angled, cable 0.3 m - M8 connector	
	MFS02-S-KHC-P2-PNP 2-point sensor straight, cable 0.3 m - M8 connector	

SENSORS

	KB8-49 Mounting block	
	NJ8-E2S Inductive proximity switch - Connector M8	
	MFS01-S-KHC-P1-PNP Magnetic field sensor angled, cable 0.3 m - M8 connector	

CONNECTIONS / OTHER

	KAG500 Plug-in connector Straight Cable 5m - Socket M8 (female)	
	KAW500 Plug-in connector Angled Cable 5m - Socket M8 (female)	
	S8-G-3 Plug-in connector customizable Straight - Connector M8	

Order no.	► Technical data	
	GG4084NC	GG4084SC
Stroke per jaw [°]	90	20
Gripping moment in closing at 0° [Nm]	135	156
Gripping moment secured by spring min. [Nm]	80	115
Gripping force in closing [N]	3500	4000
Dead weight of mounted gripper finger max. [kg]	1	1
Length of the gripper fingers max. [mm]	175	175
Closing time [s]	0.27	0.11
Opening time [s]	0.48	0.25
Repetition accuracy +/- [mm]	0.05	0.05
Operating pressure min. [bar]	4	4
Operating pressure max. [bar]	8	8
Nominal operating pressure [bar]	6	6
Operating temperature min. [°C]	5	5
Operating temperature max. [°C]	+80	+80
Air volume per cycle [cm ³]	220	170
Protection to IEC 60529	IP64	IP64
Weight [kg]	4.5	4.5

- ① Gripper attachment
- ② Energy supply
- ③ Fixing for gripper finger
- ⑤ Stroke adjustment screw
- ⑥ Integrated slot for magnetic field sensor
- ⑦ Fixing for mounting block
- ⑱ Air purge connection option
- ⑳ Mounting possibility for cam switch
- ㉔ Adapter
- ㉕ Gripper
- Ⓐ Air connection (close)
- Ⓑ Air connection (open)
- Ⓐ Air connection, alternative (close)
- Ⓑ Air connection, alternative (open)