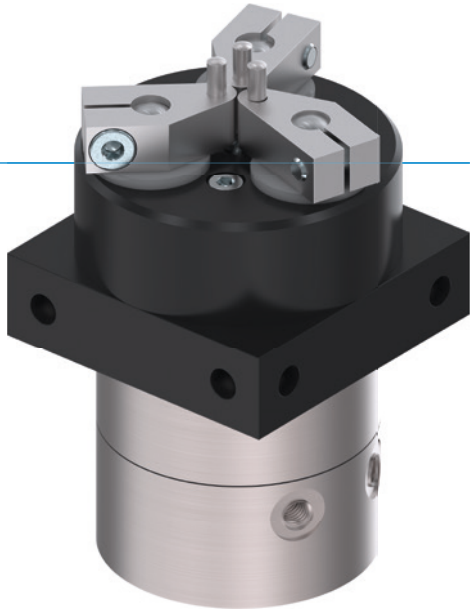


# 3-JAW CONCENTRIC GRIPPERS

## SERIES GD

### ▶ PRODUCT ADVANTAGES



#### “The flexible”

##### ▶ Largest stroke in small installation space

You can cover numerous application variants with just one gripper type

##### ▶ Gripper jaws included in the delivery

Reduces your design effort, manufacturing costs and setup time

##### ▶ Smooth stroke configuration

Using the optionally available stroke limit, you can customise the stroke to your application, even stroke sensing is possible

### ▶ SERIES CHARACTERISTICS

#### Installation size

#### GDX



10 million maintenance-free cycles (max.)



Inductive sensor

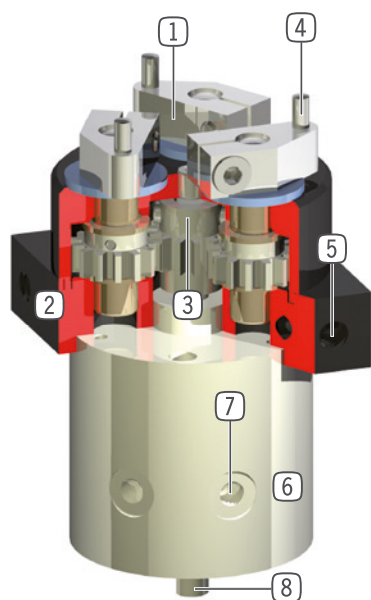


IP40





## ► BENEFITS IN DETAIL



- ① **Gripping movement on rotation**
  - for various workpiece diameters
- ② **Robust, lightweight housing**
  - Hard-coated aluminum alloy
- ③ **Planetary transmission**
  - synchronized the movement of the gripper jaws
- ④ **Standard pins serve as gripper jaw**
- ⑤ **Mounting and positioning**
  - mounting possible from several sides for versatile positioning
- ⑥ **Drive**
  - double-acting pneumatic cylinder
- ⑦ **Energy supply**
  - possible radial and axial
- ⑧ **Shaft projection**
  - for accessory assembly e.g. sensors

## ► TECHNICAL DATA

Installation size	Stroke [°]	Gripping moment [Nm]	Weight [kg]	IP class
GD1	130	0,12	0.08	IP40
GD10	180	1	0.51	IP40
GD50	120	9	2.7	IP40

## ► FURTHER INFORMATION IS AVAILABLE ONLINE



All information just a click away at: [www.zimmer-group.com](http://www.zimmer-group.com). Find data, illustrations, 3D models and operating instructions for your installation size using the order number for your desired product. Quick, clear and always up-to-date.

# 3-JAW CONCENTRIC GRIPPERS

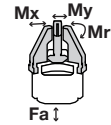
## INSTALLATION SIZE GD10

### ▶ PRODUCT SPECIFICATIONS



#### ▶ Forces and moments

Displays static forces and moments that can also have an effect, besides the gripping force.



Mr [Nm]	1
Mx [Nm]	1
My [Nm]	0.5
Fa [N]	30

### ▶ RECOMMENDED ACCESSORIES



#### ENERGY SUPPLY



**GVM5**  
Straight Fittings - Quick Connect Style



**DEV04**  
Quick Exhaust Valve



**DSV1-8**  
Pressure safety valve



#### ENERGY SUPPLY



**DSV1-8E**  
Pressure safety valve with quick exhaust



#### CONNECTIONS / OTHER



**DB10**  
Rotation limiter

### ▶ RECOMMENDED ACCESSORY ROTATION LIMITER



**NJ12-E2**  
Inductive proximity switch - Cable 5 m



**NJ12-E2S**  
Inductive proximity switch - Connector M8



**AI-M8X1-38**  
Stop Stroke Adjustment Screws



**AI-M8X1-53**  
Stop Stroke Adjustment Screws



**KAG500**  
Plug-in connector Straight Cable 5m - Socket M8 (female)

