

COMPENSATION MODULES

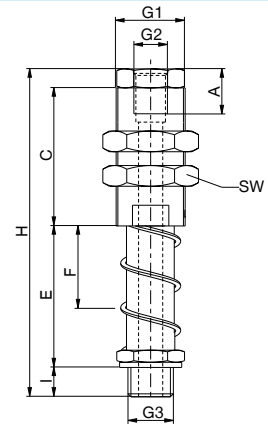
SERIES FS / SA

► SERIES FS - COMPENSATION MODULES



► Special features

- Spring plunger with damping spring
- High-strength plunger rod
- Smooth compensation of height differences



► Technical Data

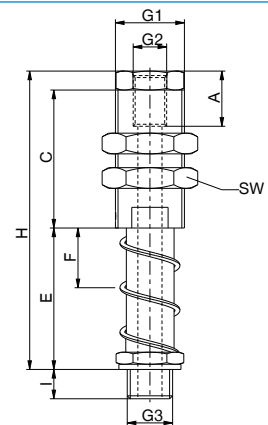
Order no.	FS14A-25	FS18A-15
G1	M20x1,5	M16x1
G2	G1/8"	G1/8"
G3	G1/4"	G1/8"
Dimension A [mm]	13	8
Dimension C [mm]	40	30
Dimension E [mm]	40.5	29.5
Dimension F [mm]	25	15
Dimension H [mm]	86	73.5
Dimension I [mm]	8.5	6.5
SW [mm]	24	22

► SERIES FSV - COMPENSATION MODULES - ROTATION PREVENTED



► Special features

- Spring plunger with damping spring
- High-strength plunger rod
- Smooth compensation of height differences



► Technical Data

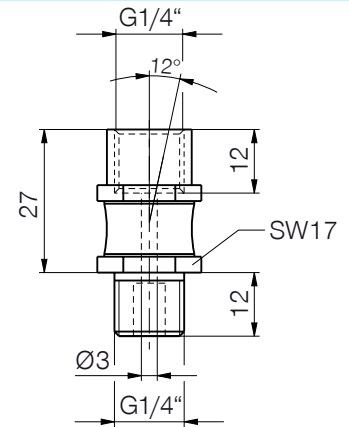
Order no.	FS14A-25V	FS18A-15V
G1	M20x1,5	M16x1
G2	G1/8"	G1/8"
G3	G1/4"	G1/8"
Dimension A [mm]	13	8
Dimension C [mm]	40	30
Dimension E [mm]	40.5	28.5
Dimension F [mm]	25	15
Dimension H [mm]	86	73.5
Dimension I [mm]	8.5	6.5
SW [mm]	24	22

► SERIES SAG - COMPENSATION MODULES



► Special features

- Mounting jointed on all sides
- Rubber/metal combination as joint
- Very strong material combination
- Automatic return to neutral starting position



► Technical Data

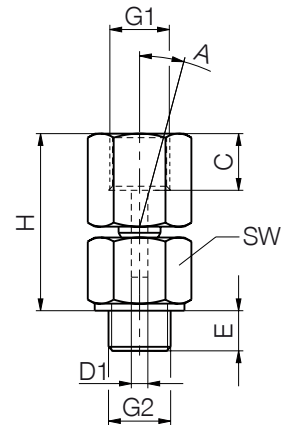
Order no.	SAG14AI
Fixing thread	G1/4"
Compensation stroke max. [°]	12
SW [mm]	17

► SERIES SAK - COMPENSATION MODULES



► Special features

- Mounting jointed on all sides for suction grippers and suction plates
- Suction grippers and suction plates
- Low rotation point on suction gripper



► Technical Data

Order no.	SAK14AI	SAK18AI
Compensation stroke max. [°]	15	15
G1	G1/4"	G1/8"
G2	G1/4"	G1/8"
Dimension C [mm]	12	8.5
Dimension D1 [mm]	3.5	2
Dimension E [mm]	10	7
Dimension H [mm]	37.5	26.5
SW [mm]	19	14