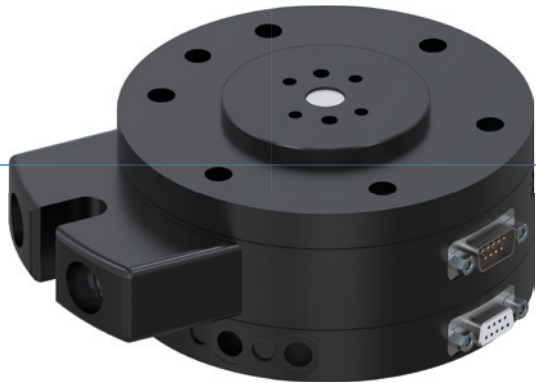


ROTARY DISTRIBUTORS

SERIES DVR

▶ PRODUCT ADVANTAGES



▶ **Compact media transfer system**

This D1 media exchanger makes cable breaks and undefined interference contours through the power supply line a thing of the past

▶ **Flat design**

This structure reduces the moment load for your robot to a minimum and makes it possible to use smaller and more affordable sizes

▶ **Gold contact**

Allows flexibility for transmission because you can transfer everything from the smallest flows up to 250 volts and 6 amps with process reliability

▶ THE BEST PRODUCT FOR YOUR APPLICATION



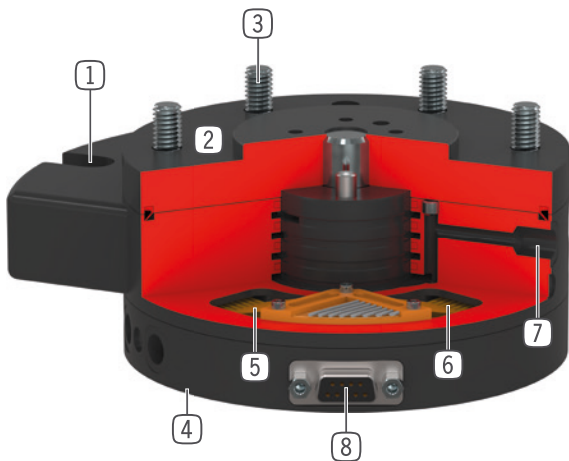
▶ **Our products welcome the challenge!**

Extreme conditions, all over the world—our tried and tested components and systems give you endless possibilities.

Find the best product for your specific use:

www.zimmer-group.com

► BENEFITS IN DETAIL



- ① **Torque brace**
 - supports the rotor during rotation (movement)
- ② **Robust, lightweight housing**
 - Hard-coated aluminum alloy
 - nitrated steel
- ③ **Robot flange**
 - partial mounting circle in accordance with EN ISO 9409-1
- ④ **Direct air connection**
 - to WWR series
- ⑤ **Spring system**
 - from size DVR63 double fitting
- ⑥ **Collector ring**
 - hard gold coated
 - transferable to finest currents
- ⑦ **Up to 8 way integrated air feed-through**
 - for hoseless air transfer
 - hose package does not have to be pivoted
- ⑧ **Up to 12 pole energy transfer**
 - for cable-free signal transfer
 - no cables are subjected to torsion

► TECHNICAL DATA

| Installation size | Connecting flange according EN ISO 9409-1 | Pneumatic energy transfer | Electrical energy transfer |
|-------------------|---|---------------------------|----------------------------|
| | | [Quantity] | |
| DVR40 | TK 40 | 4 | 4-pole |
| DVR50 | TK 50 | 4 | 4-pole |
| DVR63 | TK 63 | 6 | 6-pole |
| DVR80 | TK 80 | 6 | 6-pole |
| DVR100 | TK 100 | 4 / 8 | 8-pole |
| DVR125 | TK 125 | 4 / 8 | 12-pole |
| DVR160 | TK 160 | 4 / 8 | 12-pole |

► FURTHER INFORMATION IS AVAILABLE ONLINE



All information just a click away at: www.zimmer-group.com. Find data, illustrations, 3D models and operating instructions for your installation size using the order number for your desired product. Quick, clear and always up-to-date.

ROTARY DISTRIBUTORS

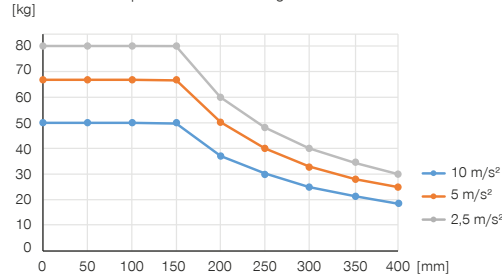
INSTALLATION SIZE DVR80

▶ PRODUCT SPECIFICATIONS



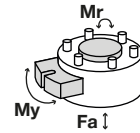
▶ Variable installation position

Shows the maximum handling weight depending on acceleration and lever arm. Does not replace the technical design.



▶ Forces and moments

Shows static forces and moments which may impact on the rotary distributor.



| | |
|---------|------|
| Mr [Nm] | 300 |
| My [Nm] | 300 |
| Fa [N] | 1500 |

▶ INCLUDED IN DELIVERY



6 [piece]
Cylinder Screw
C7984080169



6 [piece]
O-Ring
COR0030100

▶ RECOMMENDED ACCESSORIES



ENERGY SUPPLY



GVM5
Straight Fittings - Quick Connect Style



ENERGY SUPPLY



WVM5
Angled Fittings - Quick Connect Style

| ► Technical data | |
|---|----------------|
| Order no. | DVR8016 |
| Connecting flange according EN ISO 9409-1 | TK 80 |
| Pneumatic energy transfer [Quantity]* | 6 |
| Electrical energy transfer | 6-pole |
| Max. current [A] | 6 |
| Max. voltage [V] | 250 |
| Maximum acceleration [m/s ²] | 22 |
| Maximum speed [1/min.] | 120 |
| Maximum speed [°/s] | 720 |
| Radial run out +/- [mm] | 0.03 |
| Axial run out +/- [mm] | 0.03 |
| Constant torque [Nm] | 2 |
| Loose torque [Nm] | 3 |
| Operating pressure max. [bar] | 10 |
| Operating temperature [°C] | 5 ... +80 |
| Moment of inertia [kgcm ²] | 27 |
| Protection to IEC 60529 | IP64 |
| Weight [kg] | 2 |

*Vacuum possible

