

# ROTARY DISTRIBUTORS

## SERIES DVR1000

### ▶ PRODUCT ADVANTAGES



#### ▶ **Rotary distributor with Industrial Ethernet**

The integrated slip ring lets you transmit future-ready Industrial Ethernet to your machine for the first time with complete process reliability

#### ▶ **8x integrated air-feed-through**

Keep wear to a minimum and eliminate undefined interference contours from your hose package in order to use your machine's installation space more effectively

#### ▶ **Double bearings**

The integrated roller bearings provide high stiffness and allows you to maximize the operational dynamics of your robot, improving your cycle times

### ▶ THE BEST PRODUCT FOR YOUR APPLICATION



#### ▶ **Our products welcome the challenge!**

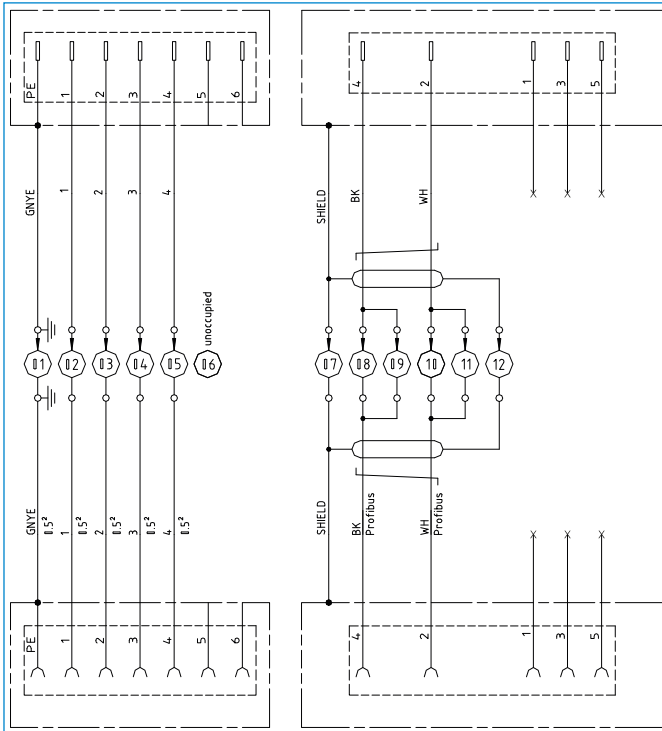
Extreme conditions, all over the world—our tried and tested components and systems give you endless possibilities.

Find the best product for your specific use:

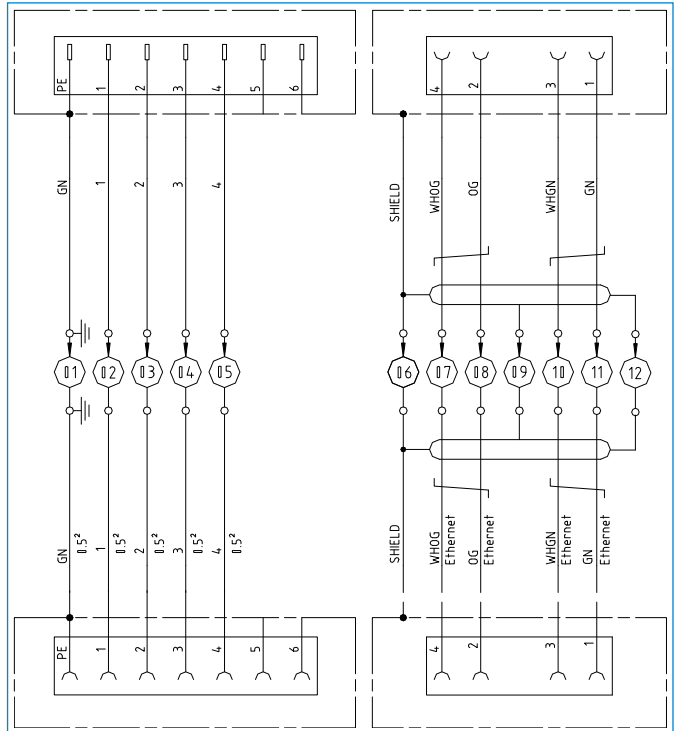
[www.zimmer-group.com](http://www.zimmer-group.com)

## CONNECTION DIAGRAM

DVR1125PB



DVR1125PN



## TECHNICAL DATA

Installation size	Connecting flange according EN ISO 9409-1	Pneumatic energy transfer	Electrical energy transfer
		[Quantity]	
DVR1125	TK 125	8	4-pole + PE

## FURTHER INFORMATION IS AVAILABLE ONLINE



All information just a click away at: [www.zimmer-group.com](http://www.zimmer-group.com). Find data, illustrations, 3D models and operating instructions for your installation size using the order number for your desired product. Quick, clear and always up-to-date.

# ROTARY DISTRIBUTORS

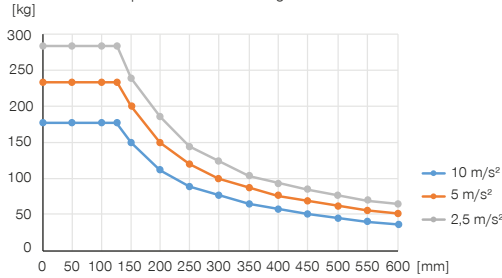
## INSTALLATION SIZE DVR1125

### ▶ PRODUCT SPECIFICATIONS



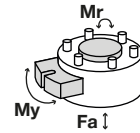
#### ▶ Variable installation position

Shows the maximum handling weight depending on acceleration and lever arm. Does not replace the technical design.



#### ▶ Forces and moments

Shows static forces and moments which may impact on the rotary distributor.



Mr [Nm]	900
My [Nm]	900
Fa [N]	7000

### ▶ INCLUDED IN DELIVERY

	6 [piece] Cylinder Screw <b>C7984100209</b>
	1 [piece] O-ring 145x2.5 <b>COR1450250</b>

	8 [piece] O-Ring <b>COR0070150</b>
--	--

### ▶ RECOMMENDED ACCESSORIES

**ENERGY SUPPLY**

**GV1-8X8**  
Straight Fittings - Quick Connect Style

**ENERGY SUPPLY**

**WV1-8X8**  
Angled Fittings - Quick Connect Style

### ▶ RECOMMENDED ACCESSORY DVR1125PB

**CONNECTIONS / OTHER**

**RSTVLM17G07B-B**  
Round connector straight - female M17

**CONNECTIONS / OTHER**

**RSTVLM17G07S-B**  
Round connector straight - pin M17

### ▶ RECOMMENDED ACCESSORY DVR1125PN

**CONNECTIONS / OTHER**

**CSTE01156**  
Plug-in connector straight - pin M12

**CONNECTIONS / OTHER**

**RSTVLM17G07B-B**  
Round connector straight - female M17

**CONNECTIONS / OTHER**

**CSTE01157**  
Plug-in connector angled - pin M12

**CONNECTIONS / OTHER**

**RSTVLM17G07S-B**  
Round connector straight - pin M17

Order no.	► Technical data	
	DVR1125PB	DVR1125PN
Connecting flange according EN ISO 9409-1	TK 125	TK 125
Pneumatic energy transfer [Quantity]	8	8
Flow per connector [l/min]	290	290
Bus protocol	Profibus	Industrial Ethernet
Data rate	12	100
Fieldbus connection 53	Pin, M12, 5-pin, B-coded	Socket, M12, 4-pin, D-coded
Connection fieldbus 54	Socket, M12, 5-pin, B-coded	Socket, M12, 4-pin, D-coded
Electrical energy transfer	4-pole + PE	4-pole + PE
Power supply connection 19	Pin, M17, 7-pin	Pin, M17, 7-pin
Power supply connection 20	Socket, M17, 7-pin	Socket, M17, 7-pin
Max. current [A]	9	9
Max. voltage [V]	250	250
Maximum acceleration [m/s <sup>2</sup> ]	20	20
Maximum speed [1/min.]	100	100
Maximum speed [°/s]	600	600
Radial run out +/- [mm]	0.05	0.05
Axial run out +/- [mm]	0.05	0.05
Constant torque [Nm]	4	4
Loose torque [Nm]	5	5
Operating pressure max. [bar]	10	10
Operating temperature [°C]	5 ... +80	5 ... +80
Moment of inertia [kgcm <sup>2</sup> ]	370	370
Protection to IEC 60529	IP64	IP64
Weight [kg]	8.5	8.5

