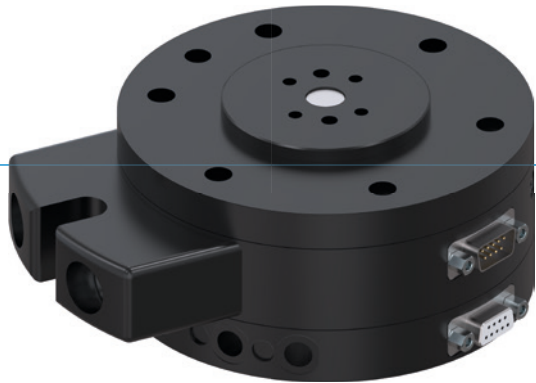


ROTARY DISTRIBUTORS

SERIES DVR

▶ PRODUCT ADVANTAGES



▶ **Compact media transfer system**

This D1 media exchanger makes cable breaks and undefined interference contours through the power supply line a thing of the past

▶ **Flat design**

This structure reduces the moment load for your robot to a minimum and makes it possible to use smaller and more affordable sizes

▶ **Gold contact**

Allows flexibility for transmission because you can transfer everything from the smallest flows up to 250 volts and 6 amps with process reliability

▶ THE BEST PRODUCT FOR YOUR APPLICATION



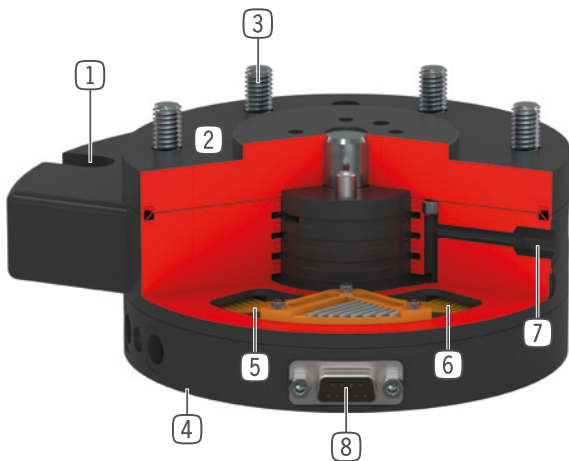
▶ **Our products welcome the challenge!**

Extreme conditions, all over the world—our tried and tested components and systems give you endless possibilities.

Find the best product for your specific use:

www.zimmer-group.com

► BENEFITS IN DETAIL



- ① **Torque brace**
 - supports the rotor during rotation (movement)
- ② **Robust, lightweight housing**
 - Hard-coated aluminum alloy
 - nitrated steel
- ③ **Robot flange**
 - partial mounting circle in accordance with EN ISO 9409-1
- ④ **Direct air connection**
 - to WWR series
- ⑤ **Spring system**
 - from size DVR63 double fitting
- ⑥ **Collector ring**
 - hard gold coated
 - transferable to finest currents
- ⑦ **Up to 8 way integrated air feed-through**
 - for hoseless air transfer
 - hose package does not have to be pivoted
- ⑧ **Up to 12 pole energy transfer**
 - for cable-free signal transfer
 - no cables are subjected to torsion

► TECHNICAL DATA

Installation size	Connecting flange according EN ISO 9409-1	Pneumatic energy transfer	Electrical energy transfer
		[Quantity]	
DVR40	TK 40	4	4-pole
DVR50	TK 50	4	4-pole
DVR63	TK 63	6	6-pole
DVR80	TK 80	6	6-pole
DVR100	TK 100	4 / 8	8-pole
DVR125	TK 125	4 / 8	12-pole
DVR160	TK 160	4 / 8	12-pole

► FURTHER INFORMATION IS AVAILABLE ONLINE



All information just a click away at: www.zimmer-group.com. Find data, illustrations, 3D models and operating instructions for your installation size using the order number for your desired product. Quick, clear and always up-to-date.

ROTARY DISTRIBUTORS

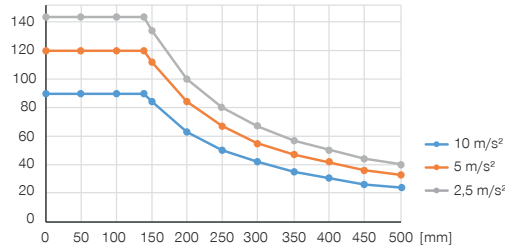
INSTALLATION SIZE DVR100

▶ PRODUCT SPECIFICATIONS



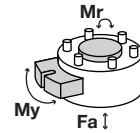
▶ Variable installation position

Shows the maximum handling weight depending on acceleration and lever arm. Does not replace the technical design.
[kg]



▶ Forces and moments

Shows static forces and moments which may impact on the rotary distributor.



Mr [Nm]	500
My [Nm]	500
Fa [N]	2100

▶ INCLUDED IN DELIVERY



6 [piece]
Cylinder Screw
C0912080169



4 [piece]
O-Ring
COR0070150

▶ RECOMMENDED ACCESSORIES



ENERGY SUPPLY



GV1-8X8
Straight Fittings - Quick Connect Style



ENERGY SUPPLY



WV1-8X8
Angled Fittings - Quick Connect Style

Order no.	▶ Technical data	
	DVR100I4	DVR100I8
Connecting flange according EN ISO 9409-1	TK 100	TK 100
Pneumatic energy transfer [Quantity]*	4	8
Electrical energy transfer	8-pole	8-pole
Max. current [A]	6	6
Max. voltage [V]	250	250
Maximum acceleration [m/s ²]	20	20
Maximum speed [1/min.]	100	100
Maximum speed [°/s]	600	600
Radial run out +/- [mm]	0.04	0.04
Axial run out +/- [mm]	0.04	0.04
Constant torque [Nm]	2	4
Loose torque [Nm]	4	6
Operating pressure max. [bar]	10	10
Operating temperature [°C]	5 ... +80	5 ... +80
Moment of inertia [kgcm ²]	86	100
Protection to IEC 60529	IP64	IP64
Weight [kg]	3.8	4.5

*Vacuum possible

1 Fixing (robot side)
 4 Integrated air feed-through
 11 Fixing tool side
 17 Torque brace
 19 Electrical energy transfer robot side
 20 Electrical energy transfer tool side
 33 Air purge connection option
 38 Tool changer
 39 Adapter

PIN assignment

Hoseless air passage (tool)