

# CRASH PROTECTION SERIES CSR

## ▶ PRODUCT ADVANTAGES



### ▶ **Adjustable triggering sensitivity**

By controlling the air pressure, you can optimally match the sensitivity to your application.

### ▶ **Integrated sensors**

If there is a collision, the integrated sensor gives a signal to the control system to trigger an emergency stop.

### ▶ **Manual reset**

To ensure that the machine and the reason for the emergency stop are examined, the manual reset is suitable.

## ▶ THE BEST PRODUCT FOR YOUR APPLICATION



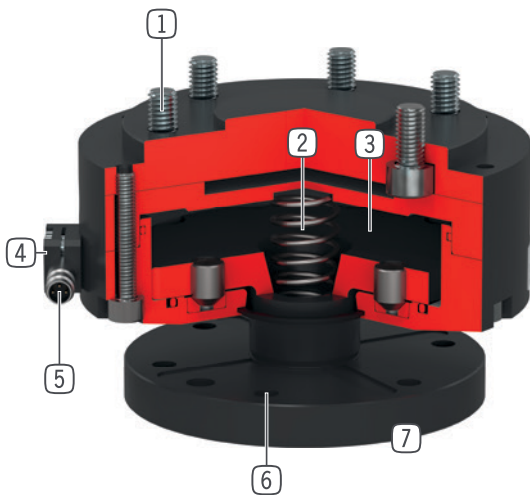
### ▶ **Our products welcome the challenge!**

Extreme conditions, all over the world—our tried and tested components and systems give you endless possibilities.

Find the best product for your specific use:

[www.zimmer-group.com](http://www.zimmer-group.com)

## ► BENEFITS IN DETAIL



- ① Robot connecting flange**
  - partial mounting circle in accordance with EN ISO 9409-1
- ② Drive**
  - single-acting pneumatic cylinder
  - response sensitivity adjustable via operating pressure
  - with integrated spring
- ③ Force transfer**
  - direct and low-loss at piston surface
- ④ Pressure differential switch**
  - indirect overload recognition
- ⑤ Sensors**
  - inductive proximity switch generates a signal which can be used to recognise an overload situation
  - generates an automatic emergency off system situation
  - included in the delivery inductive proximity switch Ø 8 mm with cable connection M8x1
- ⑥ Connecting flange**
- ⑦ Overload recognition and compensation**
  - in Z-direction up to 28 mm stroke
  - angular deflection up to 12.5°
  - on rotation around the Z-axis 360°

## ► TECHNICAL DATA

Installation size	Connecting flange according EN ISO 9409-1	Z-axis deviation	Horizontal deviation +/-
		[mm]	[°]
CSR50	TK 50	12.5	12.5
CSR63	TK 63	10.5	12.5
CSR80	TK 80	14	9
CSR100	TK 100	18	9
CSR125	TK 125	23	9
CSR160	TK 160	28	9

## ► FURTHER INFORMATION IS AVAILABLE ONLINE



All information just a click away at: [www.zimmer-group.com](http://www.zimmer-group.com). Find data, illustrations, 3D models and operating instructions for your installation size using the order number for your desired product. Quick, clear and always up-to-date.

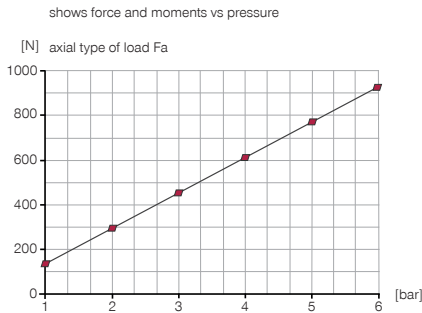
# CRASH PROTECTION

## INSTALLATION SIZE CSR50

### ▶ PRODUCT SPECIFICATIONS

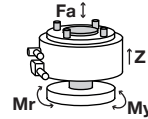


#### ▶ Air pressurization

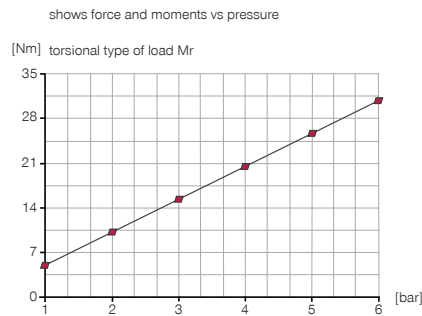


#### ▶ Forces and moments

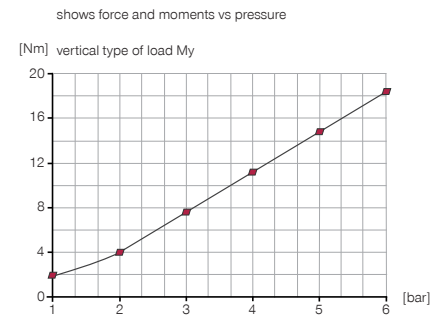
See diagram for max. forces and torques



#### ▶ Air pressurization



#### ▶ Air pressurization



### ▶ INCLUDED IN DELIVERY



1 [piece]  
Inductive proximity switch - Connector M8  
**NJ8-E2S-05**



4 [piece]  
Cylinder Screw  
**C0912060169**

### ▶ RECOMMENDED ACCESSORIES



#### ENERGY SUPPLY



**GVM5**  
Straight Fittings - Quick Connect Style



**WVM5**  
Angled Fittings - Quick Connect Style



#### CONNECTIONS / OTHER



**KAG500**  
Plug-in connector Straight Cable 5m - Socket M8  
(female)



**KAW500**  
Plug-in connector Angled Cable 5m - Socket M8  
(female)

► Technical data	
<b>Order no.</b>	<b>CSR50</b>
Connecting flange according EN ISO 9409-1	TK 50
Installation Height [mm]	71
Z-axis deviation [mm]	12.5
Repetition accuracy axial +/- [mm]	0.05
Horizontal deviation +/- [°]	12.5
Repetition accuracy radial +/- [mm]	0.05
Operating pressure [bar]	1 ... 6
Nominal operating pressure [bar]	6
Operating temperature [°C]	5 ... +80
Weight [kg]	0.66

