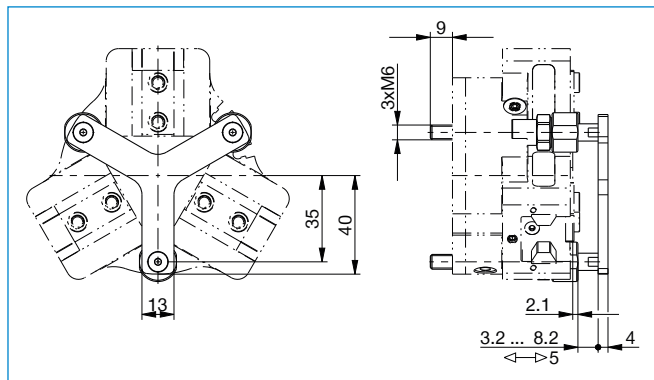


# PRESSURE PIECE

## ADS5008-01 / ADS5008-02 / ADS5008-05

Order no.	▶ Technical data		
	ADS5008-01	ADS5008-02	ADS5008-05
Compatible with installation size	GPD5008	GPD5008	GED5008
Suitable for gripper version	N / S	C / O	GED
Total spring force min. [N]	62.0	62.0	62.0
Total spring force max. [N]	124.0	124.0	124.0
Weight [kg]	0.14	0.15	0.18



Gripper is fastened via the [pressure piece](#)