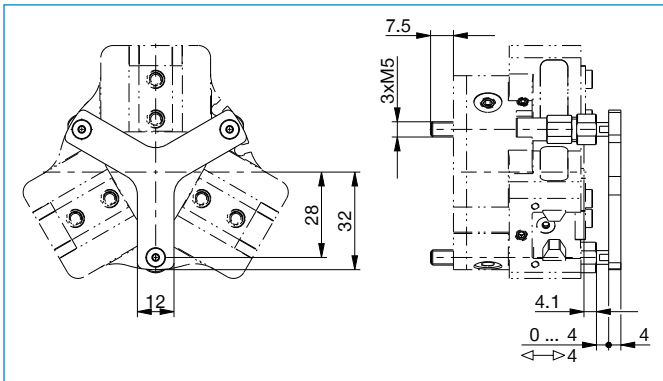


PRESSURE PIECE

ADS5006-01 / ADS5006-02 / ADS5006-05

Order no.	▶ Technical data		
	ADS5006-01	ADS5006-02	ADS5006-05
Compatible with installation size	GPD5006	GPD5006	GED5006
Suitable for gripper version	N / S	C / O	GED
Total spring force min. [N]	35.0	35.0	35.0
Total spring force max. [N]	75.0	75.0	75.0
Weight [kg]	0.069	0.075	0.095



Gripper is fastened via the [pressure piece](#)