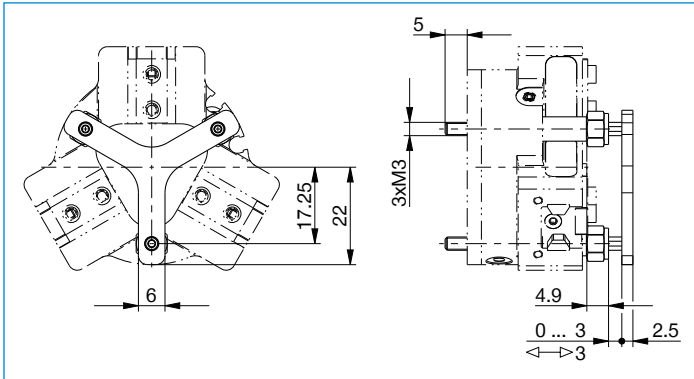


PRESSURE PIECE

ADS5003-01 / ADS5003-02

Order no.	▶ Technical data	
	ADS5003-01	ADS5003-02
Compatible with installation size	GPD5003	GPD5003
Suitable for gripper version	N / S	NC / NO / SC / SO
Total spring force min. [N]	11	11
Total spring force max. [N]	17	17
Weight [kg]	0.021	0.023



Gripper is fastened via the [pressure piece](#)